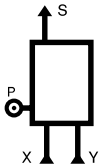


## Memory Relay Without Subbase For Mounting On 4-Port Modular Subbase



PLMA10

Part Number	Description
PLMA10	3-Way Double Air Pilot Operated Valve. Reset Signal Y Always Has Priority Over Set Signal X. With Manual Override
PLMA12	PLMA10 on PZUB12 Subbase

## Specifications

### Air Quality

Standard Shop Air, Lubricated or Dry,  
 40 µm Filtration

### Cv (kv)

0.14 (1.8)

### Flow rate at 90 PSI (6 bar) in SCFM (l/mn ANR)

6.4 (180)

### Materials

- Body ..... Polyamide
- Poppet ..... Polyurethane
- Seals ..... Nitrile (Buna N)

### Mounting

4-Ported Subbase

### Number of Operations with Dry Air at 90 PSI and 70°F – Frequency 1 Hz

10 Million

### Operating Positions

All

### Operating Pressure

40 to 115 PSIG (3 to 8 bar)

### Response Time

2 to 3 msec

### Temperature

Operating

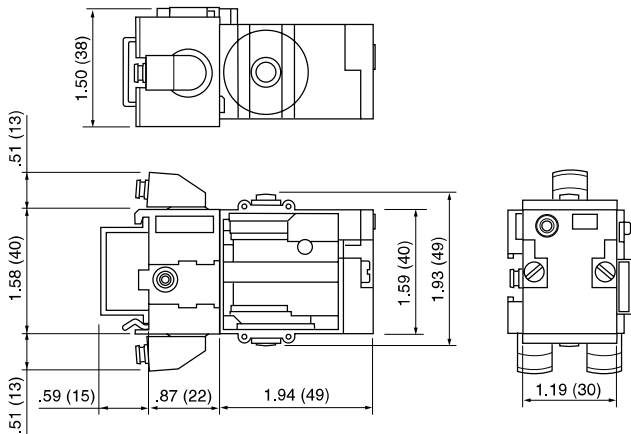
32°F to 122°F (0°C to +50°C)

Storage

-22°F to 140°F (-30°C to +60°C)

## Dimensions

PLMA12



## Pilot & Depilot Pressures

Reset Signal Y always takes priority over Set Signal X.

