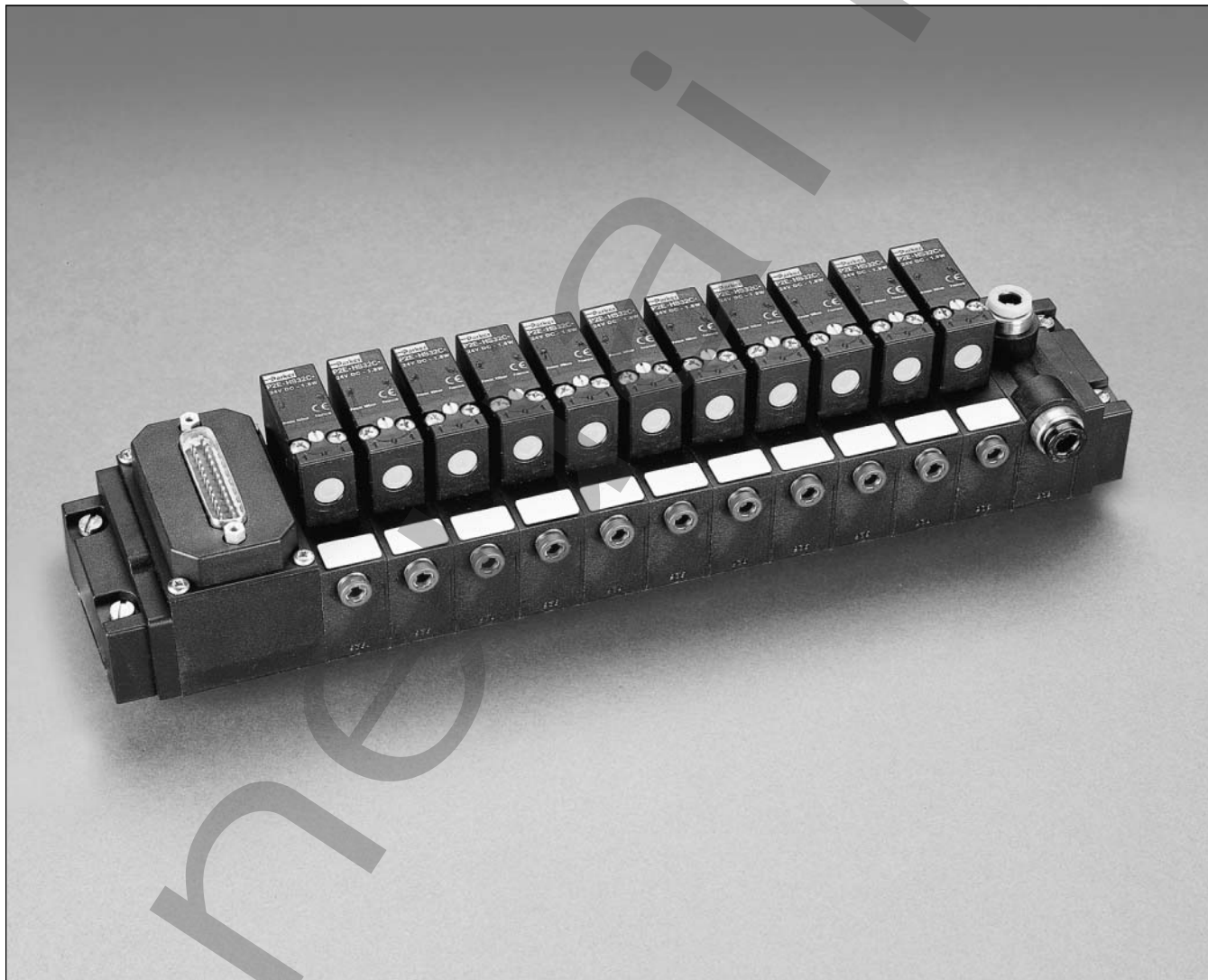


Solstar
Air Control Valves
15mm Solenoid Valves

Section A



Features	3	Pin Out Information	8
Model Selection		Parts & Accessories	
Solenoid Valves	4	IP65 Cable Assemblies	9
Head & Tail Sets	5	35mm DIN Rail	9
Intermediate Air Supply Modules	5	Dimensions	10
Ordering & Technical Information			
How To Order	6		
Valve Specifications	6	Bold text part numbers are standard.	
Replacement Solenoid Kits	7	Standard text part numbers may have longer lead times.	



Coast Pneumatics



Specifications

- 3/2 NO or NC DIN-Rail mounted pilot valves.
- Outlet fittings (Push-In) for 5/32" tubing.
- System modification or expansion simplified by easily adding valves to stack.
- Intermediate supply modules enable different pressures to be used on the same manifold.
- Integrated LED and manual overrides for setup and troubleshooting.

Connectivity

- Simplified plug-in system of electrical connections.
- Completely modular design with high protection (IP65).
- D-Sub, 25-Pin and 19-Pin Circular connectors available.
- Automatic addressing of up to 16 valves.
- Common air supply and exhaust reduce connections to one tube per valve.

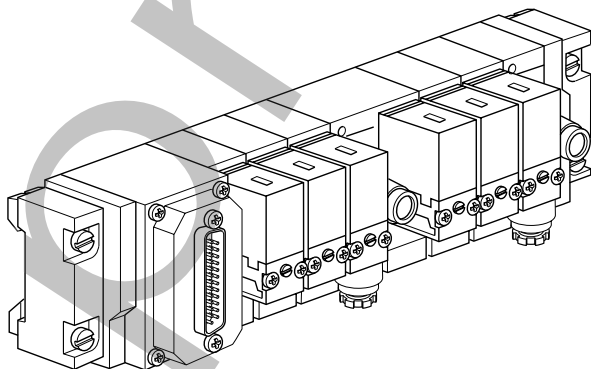
Solenoids

- 15mm Low Watt solenoids are UL certified and marked CE.
- Wide range of voltages available.
- Surge suppression standard.
- Overvoltage protection standard.
- LED standard

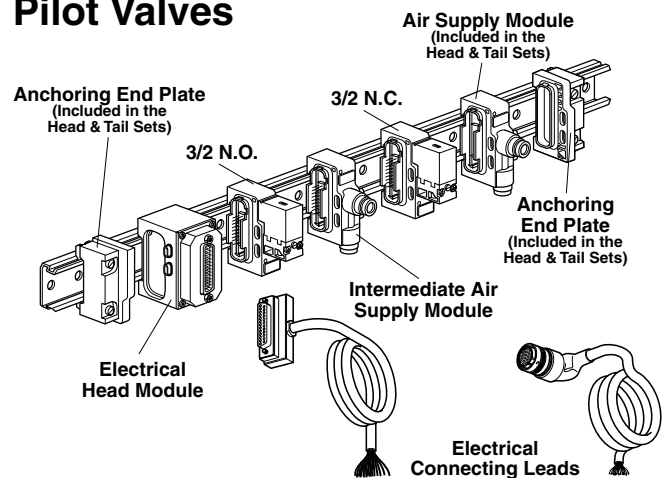
Applications

- Piloting for process control valves
 - Pharmaceutical Equipment
 - Waste Water Treatment Systems
 - Food Processing
 - Chemical Batching
- Industrial Laundry Equipment
- Paint Spray & Dyeing Equipment
- Textile winding applications.
- Vacuum and conveyor applications.

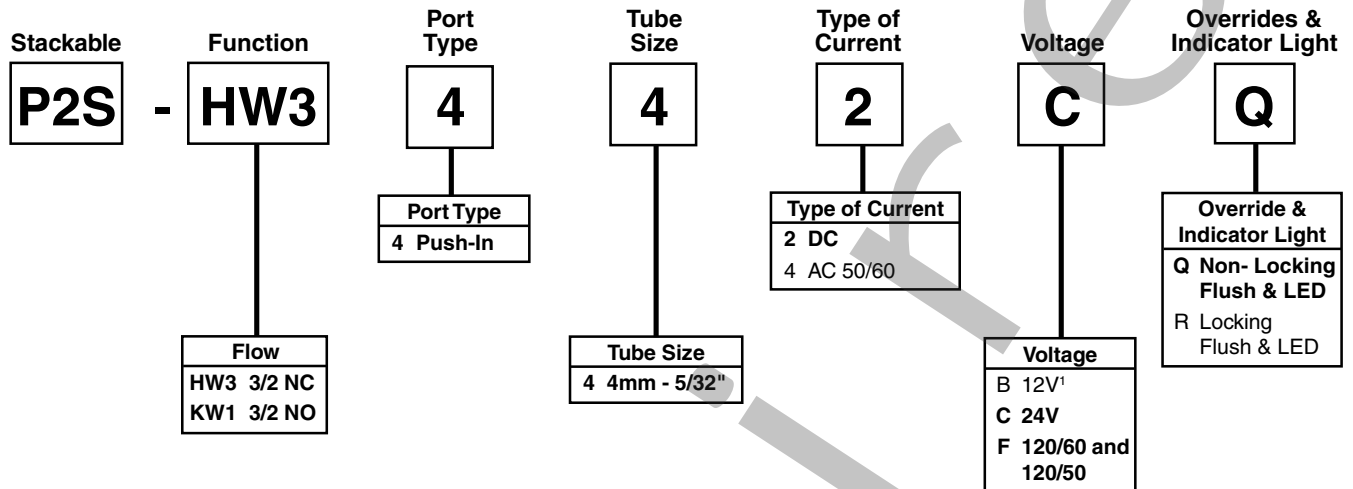
Solstar Manifold Assembly



3/2 NO or NC DIN Rail Mounted Pilot Valves



Valves



Notes:

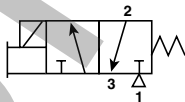
1. Only available in DC.
2. Standard items in **Bold**.



P2S-HW3442CQ
 3/2 NC, 5/32", 24VDC,
 Non-Locking Flush
 Manual Override & LED Indicator

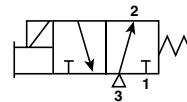
3/2 Normally Non-passing (NNP) / Normally Closed (NC) Valves

All model numbers shown include non-locking manual override.



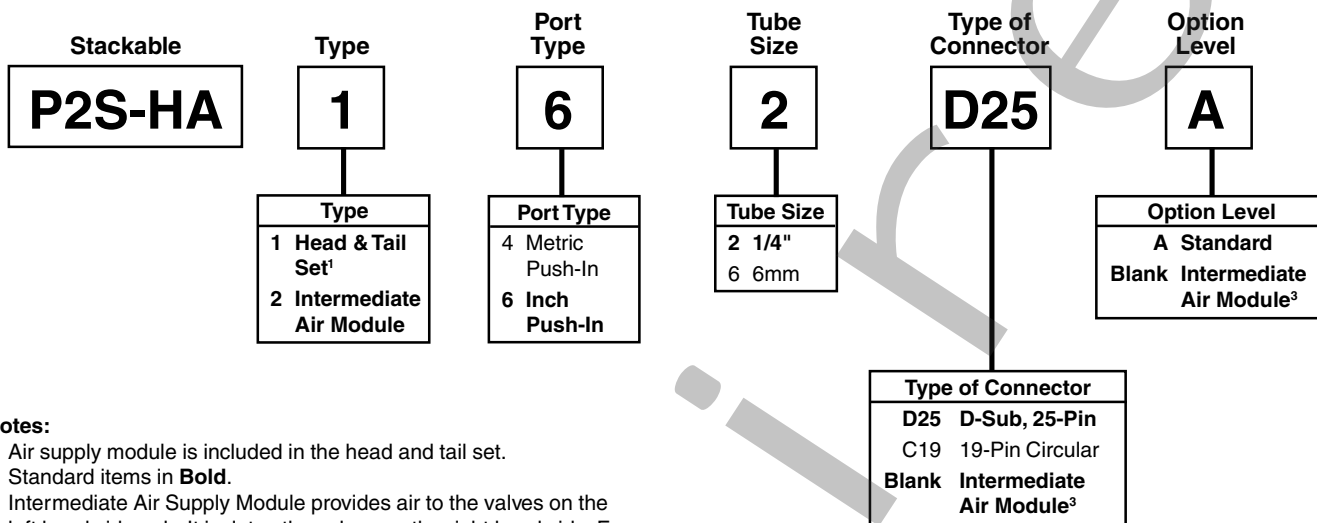
Voltage	5/32" (4mm) Tube Push-In Connection Ports
12VDC	P2S-HW3442BQ
24VDC	P2S-HW3442CQ
24VAC	P2S-HW3444CQ
120VAC	P2S-HW3444FQ

3/2 Normally Passing (NP) / Normally Open (NO) Valves



Voltage	5/32" (4mm) Tube Push-In Connection Ports
12VDC	P2S-KW1442BQ
24VDC	P2S-KW1442CQ
24VAC	P2S-KW1444CQ
120VAC	P2S-KW1444FQ

Head & Tail Sets and Intermediate Air Supply Modules



Notes:

- Air supply module is included in the head and tail set.
- Standard items in **Bold**.
- Intermediate Air Supply Module provides air to the valves on the left hand side only. It isolates the valves on the right hand side. For NC valves, the pressure has to be applied at the inlet port and for NO valves, the pressure has to be applied at the exhaust port. The colored rings at these ports may be changed for future references. The inlet port uses a green ring for 1/4" tubing, and a black ring for 6mm tubing. The exhaust port uses a yellow ring for both types.



P2S-HA162D25A
 Head & Tail Set with
 D-Sub, 25-Pin Connector

Head and Tail Sets

Used to mount valves to DIN Rail and provide supply and exhaust ports. All hardware is included.

1/4" Push-in Connection Ports	
P2S-HA162D25A	With D-Sub, 25-Pin Connector
P2S-HA162C19A	With 19-Pin Circular Connector

Intermediate Air Supply Module

P2S-HA262	1/4" Push-In Connection Ports
P2S-HA246	6mm Push-In Connection Ports

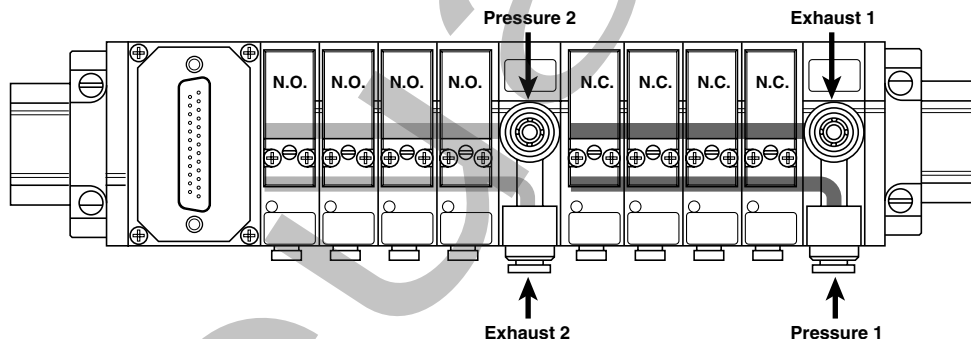
Example 1: Application requires eight, 3/2 NC, Solstar valves with 1/4" supply & exhaust ports. 24VDC with D-Sub 25-Pin Connector.

Qty.	Part Number	Description
8	P2S-HW3442CQ	3/2 NC, 24VDC Valves, Station 1 through 8
1	P2S-HA162D25A	Head & Tail Set with D-Sub, 25-Pin Connector, 1/4" Tube

Example 2: Application requires four 3/2 NC and four 3/2 NO Solstar valves with Intermediate Air Module with 1/4" supply & exhaust ports. 12VDC with D-Sub 25-Pin connector.

Qty.	Part Number	Description
4	P2S-KW1442BQ	3/2 NO, 12VDC Valves, Station 1 through 4
1	P2S-HA262	Intermediate Air Module
4	P2S-HW3442BQ	3/2 NC, 12VDC Valves, Station 5 through 8
1	P2S-HA162D25A	Head & Tail Set with D-Sub, 25-Pin Connector, 1/4" Tube

Notes: NO and NC valves can be used on the same manifold.
 All NC and NO valves have to be separated by the Intermediate Air Module P2S-HA***.
 The Intermediate Air Supply Module provides air to the valves on the left hand side only.
 It isolates the valves on the right hand side. For Example 2 above, look at the illustration below.



Valve Specifications

Air Flow:

NO: 0.033 Cv, 33NL/min
 NC: 0.05 Cv, 50NL/min

Air Quality:

Standard shop air, lubricated or non-lubricated, 50µ filtered

Body Material:

Glass Filled Polyamide

Degree of Protection:

IP65 (Washdown)

Life Expectancy:

30 million cycles

Maximum Operating Frequency:

10Hz

Mounting:

35mm (DIN) rail

Operating Medium:

Compressed air

Operating Pressure Range:

0 to 145 PSI (0 to 10 bar)

Operating Temperature Range:

5°F to 140°F (-15°C to 60°C)

Overvoltage Protection:

DC versions are protected up to 300V

Power Consumption:

Hold: DC 1.8W AC 2.4VA NO
 Inrush: DC 1.8W AC 5.5VA NO
 Hold: DC 1.8W AC 2.4VA NC
 Inrush: DC 1.8W AC 5.5VA NC

Response Time:

10 -15 ms @ 90 PSIG

Maximum Allowable Currents:

2000 mA (2 Amp)

⚠ Simultaneous Operation:

Some applications require simultaneous use of devices during setup or operation. Under normal single device operation, reliability can be assured by

staying within the stated "Maximum Allowable Currents". During simultaneous operation, however, only ten 12VDC solenoids can be operated simultaneously because their total accumulated current = 1000 mA.

Supply and Exhaust Ports:

1/4" and 6mm tube

Surge Suppression:

Diode for DC version
 Varistar for AC version

Tube Connections:

Push-In (Instant) fittings

Voltage Tolerance:

+10 to -15% of rated voltage @ 70°F (20° C)



A

NO (NP) Solenoids

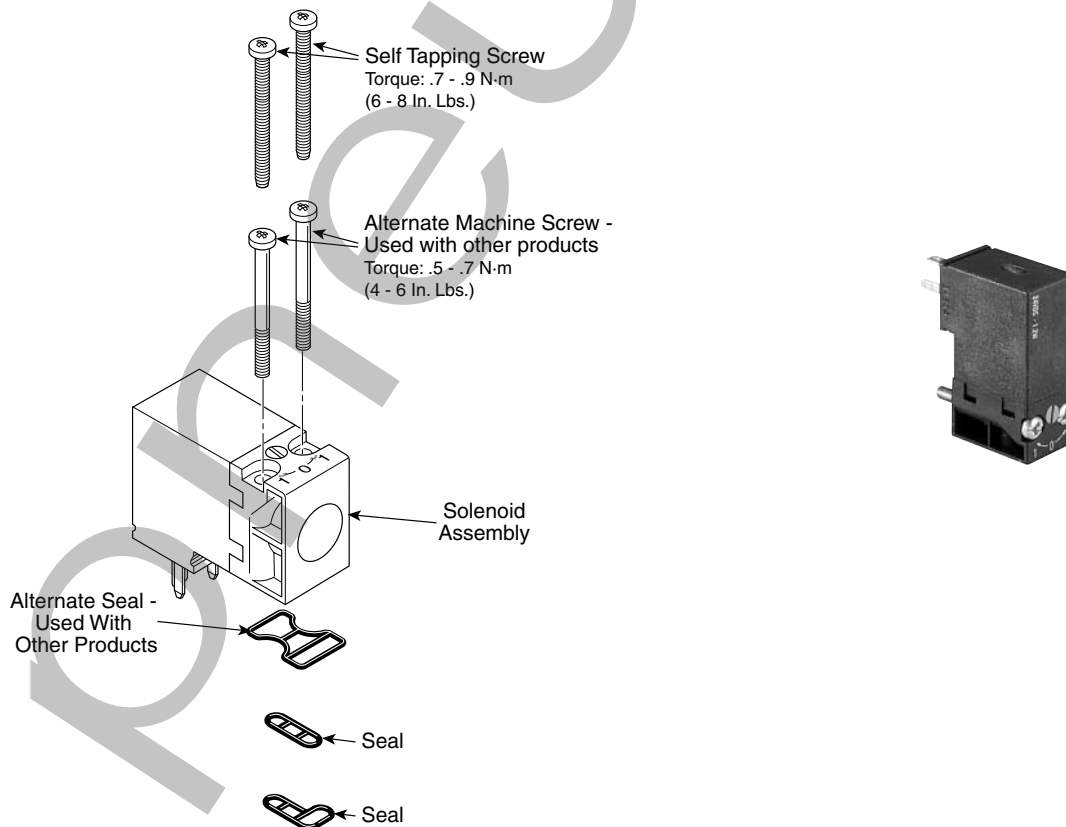
Voltages	Power Consumption	Rated Current	Kit Numbers With Non-Locking Flush Manual Override	Kit Numbers With Locking Flush Manual Override
12VDC	1.8W	150 mA	PS3201B45P	PS3201C45P
24VDC	1.8W	75 mA	PS3201B49P	PS3201C49P
24VAC	2.4VA	100 mA	PS3201B42P	PS3201C42P
115VAC, 50Hz 120VAC, 60Hz	2.4VA	20 mA	PS3201B53P	PS3201C53P

NC (NNP) Solenoids

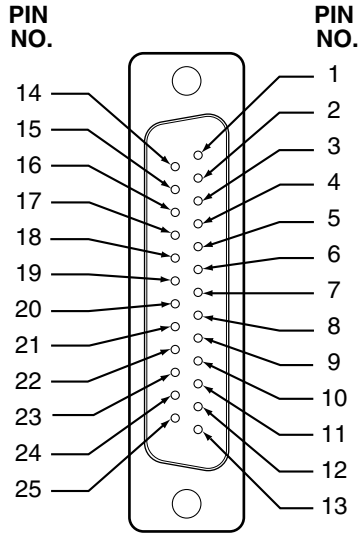
Voltages	Power Consumption	Rated Current	Kit Numbers With Non-Locking Flush Manual Override	Kit Numbers With Locking Flush Manual Override
12VDC	1.8W	150 mA	PS3541B45P	PS3541C45P
24VDC	1.8W	75 mA	PS3541B49P	PS3541C49P
24VAC	2.4VA	100 mA	PS3541B42P	PS3541C42P
115VAC, 50Hz 120VAC, 60Hz	2.4VA	20 mA	PS3541B53P	PS3541C53P

Notes:

Kit includes: Solenoid, (2) machine screws, (2) self threading screws, (1) gasket, (1) 3-cell gasket.



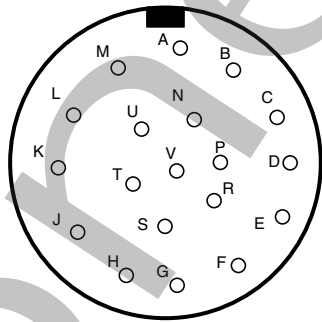
**Pin Out Detail
 D-Sub, 25-Pin Connector**



Output Solenoid No.	D-Sub, 25-Pin No.	IP65 Cable Colors
1	13	Green
2	25	Transparent
3	12	Dark Blue
4	24	Light Blue
5	11	Pink
6	23	Purple
7	10	Dark Green / Black
8	22	Yellow
9	9	Light Green / Black
10	21	Yellow / Black
11	8	Blue / Black
12	20	White / Black
13	7	Khaki
14	19	Orange
15	6	White
16	18	Grey
Not Used	5	Red / Black
Not Used	17	Red
Not Used	4	Brown
Valve Common	16	Black

Notes: Solenoids are polarity sensitive. The common must be at OV. Switching must be at the high potential.
 Maximum 16 solenoid outputs with one valve (negative) common line on Pin 16.

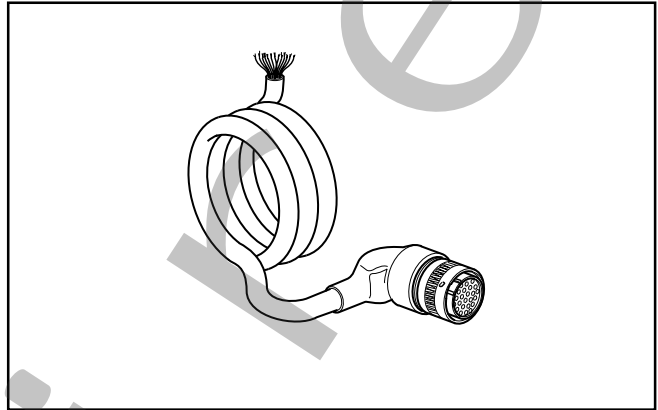
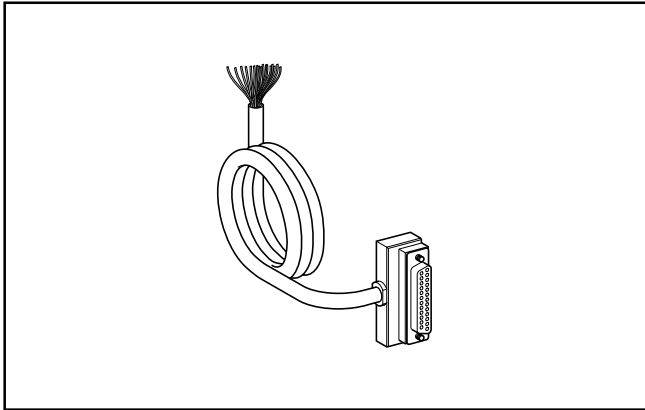
19-Pin Circular Connector



Output Solenoid No.	19-Pin Connector	IP65 Cable Colors
1	A	Pink / Brown
2	B	White / Green
3	C	White / Yellow
4	D	White / Grey
5	E	White / Pink
6	F	Brown / Green
7	G	Red / Blue
8	H	Grey / Pink
9	J	Brown / Yellow
10	K	Violet
11	L	Blue
12	M	Pink
13	N	Grey
14	P	Yellow
15	R	White
16	S	Green
Valve Common	T	Black
Not Used	U	Brown
Not Used	V	Red

Notes: Solenoids are polarity sensitive. The common must be at OV. Switching must be at the high potential.
 Maximum 16 solenoid outputs with one valve (negative) common line on Pin T.

IP65 Cable Assembly



Cable with Female D-Sub, 25-Pin Connector

P8L-MD25A5B	5 Meters / 16.40 Ft
--------------------	---------------------

Connection to the control system is through 20 colored wires AWG 24, rated at 2.5 amp. For use with Solstar, Interface 2000, PVLB10 and PVLC10 valves only.

Cable with Female 19-Pin Connector

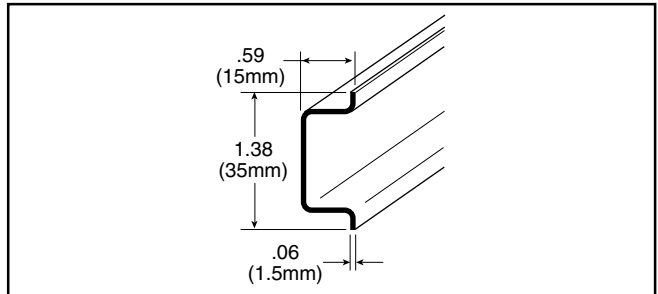
P8L-MC19A5	5 Meters / 16.40 Ft
-------------------	---------------------

Connection to the control system is through 19 colored wires AWG 20, rated at 5 amp.

35mm DIN Rail

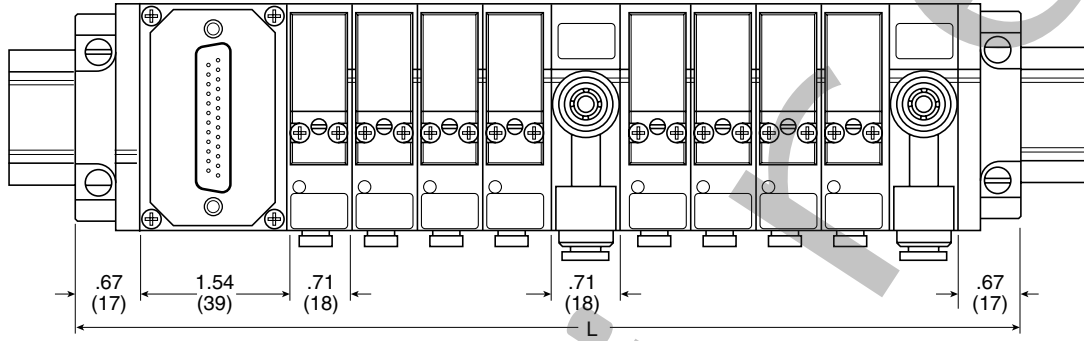
AM1DE200	1.83 Meters / 6.0 Ft
-----------------	----------------------

DIN rail can be mounted to grids or other surfaces to allow snap in mounting of pneumatic and electrical components.





Solstar Manifold with D-Sub, 25-Pin Connector Module and Intermediate Air Supply Module

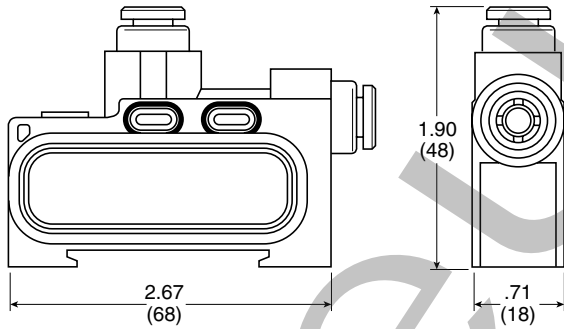


$$L = 2.87 (73) + [n \times .71 (18)]$$

n = Number of Valves

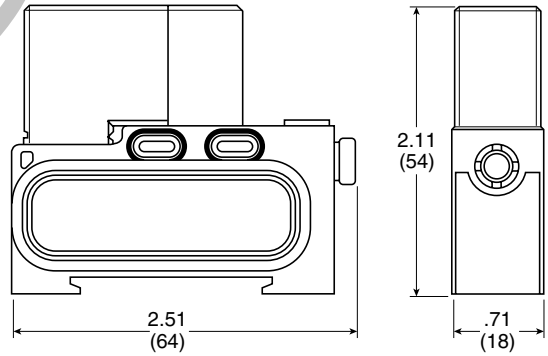
P2S-HA262

Intermediary Air Supply Module



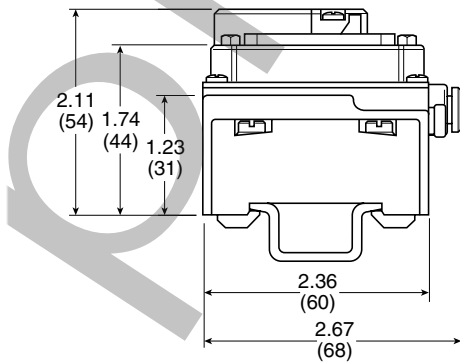
P2S-HW***

Basic Module with Solenoid Valve



P2S-HA162D25A

Head Module: D-Sub, 25-Pin Connector



P2S-HA162C19A

Head Module: 19-Pin Circular Connector

