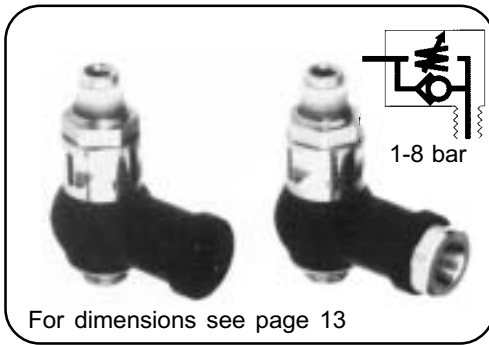


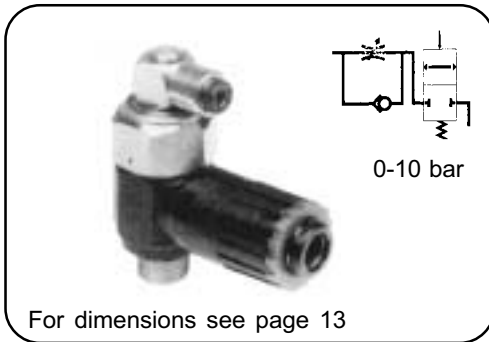
Optimisers / Slow Starters / Etc.

Optimisers, Banjo Type



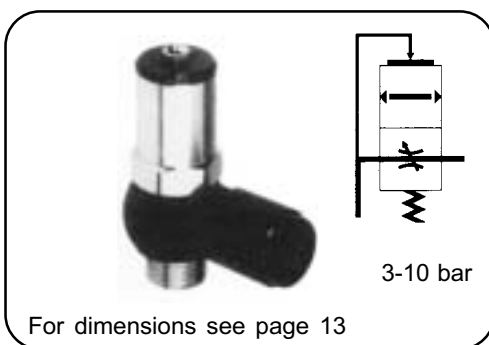
Part No.	Stem			Banjo					
	Thread size			Tube push-in			Thread size		
	G ¹ / ₈	G ¹ / ₄	G ³ / ₈	6	8	10	G ¹ / ₈	G ¹ / ₄	G ³ / ₈
PWPB1268	•			•					
PWPB1269		•		•					
PWPB1289		•			•				
PWPB1299		•				•			
PWPB1293			•			•			
PWPB1888	•						•		
PWPB1899		•						•	
PWPB1833			•						•

Speed Control Blockers, Banjo Type



Part No.	Stem			Banjo			
	Thread size			Tube push-in dia			
	G ¹ / ₈	G ¹ / ₄	G ³ / ₈	4	6	8	10
PWRHB1448	•			•			
PWRHB1468	•				•		
PWRHB1469		•			•		
PWRHB1489		•				•	
PWRHB1483			•			•	
PWRHB1493			•				•

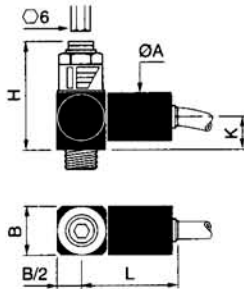
Slow Starters, Banjo Type



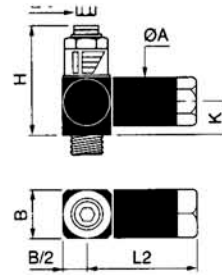
Part No.	Stem		Banjo	
	Thread		Tube dia	
	G ¹ / ₄	G ³ / ₈	8	10
PWDP2489	•		•	
PWDP2499	•			•
PWDP2493		•		•

Optimisers

PWP-B1200

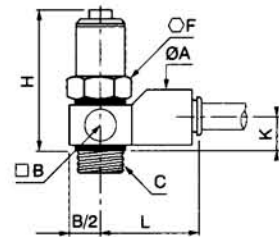


	Ø A	B	K	H	L
PWP-B1268	22	21	13,5	58	39
PWP-B1269					
PWP-B1289					
PWP-B1299	27	28	16,5	65,5	50
PWP-B1293					



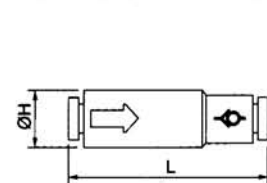
	Ø A	B	K	H	L2
PWP-B1888	22	21	13,5	58	43
PWP-B1899					
PWP-B1833	27	28	16,5	65,5	55

Slow-starters



	Ø A	B	Ø C	F	H maxi	K	L
PWD-P2489	15	20	1/4" BSP	17	61	8,5	27,5
PWD-P2499	19,5	25	1/4" BSP	22	62	11,8	41
PWD-P2493	19,5	25	3/8" BSP	22	62	11,8	41

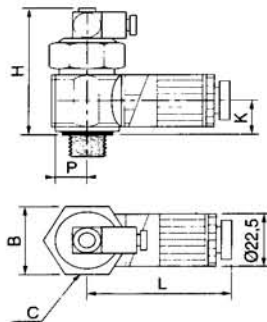
Non-return Valves



	ØH	L	Port
PWA-L1444	11	43	4mm
PWA-L1466	13	49,5	6mm
PWA-L1488	15,5	55	8mm
8D204-NRV	32	78	G ¹ / ₂

Multifunction speed controllers + blockers

PWR-HB - PWR-HE



	C	B	K	H	L	P
PWR-HB1448	24	21	13,5	59	46,5	13,5
PWR-HB1468	24	21	13,5	59	47	13,5
PWR-HB1469	24	21	13,5	59	46,5	13,5
PWR-HB1489	24	21	13,5	59	47	13,5
PWR-HB1483	24	28	15,5	59,5	60	15
PWR-HB1493	24	28	15,5	59,5	60	15