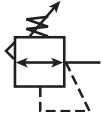
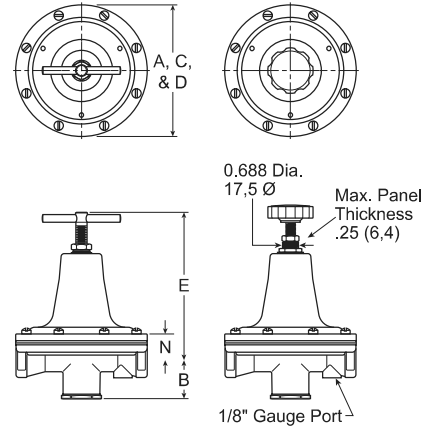


R216 Precision Regulators



Features

- High Flow Performance Featuring Rugged Design for the Most Demanding Applications
- Ideal for Those Installations Calling for Constant Pressure with Wide Variation in Flow
- Diaphragm Operated with Large Surface Area and Aspirator for Quick and Precise Regulation
- Heavy Duty Tee Handle Adjustment
- Panel Mount Version Available
- High Flow: 1/4" & 3/8" - 40 SCFM[§]



Port Size	NPT Relieving	BSPP Relieving
Tee Handle, Without Gauge 0-20 PSIG Reduced Pressure		
1/4"	R216-02F	R216G02F
3/8"	R216-03F	R216G03F
Hand Wheel Knob, Without Gauge 0-20 PSIG Reduced Pressure		
1/4"	R216-02FP	R216G02FP
3/8"	R216-03FP	R216G03FP

R216 Regulator Dimensions					
A	B	C	D	E	N
R216-02F, R216-03F					
4.25 (108)	1.24 (31.6)	4.25 (108)	4.25 (108)	4.78 (121)	0.85 (21.5)
R216-02FP, R216-03FP					
4.25 (108)	1.24 (31.6)	4.25 (108)	4.25 (108)	4.78 (121)	0.85 (21.5)

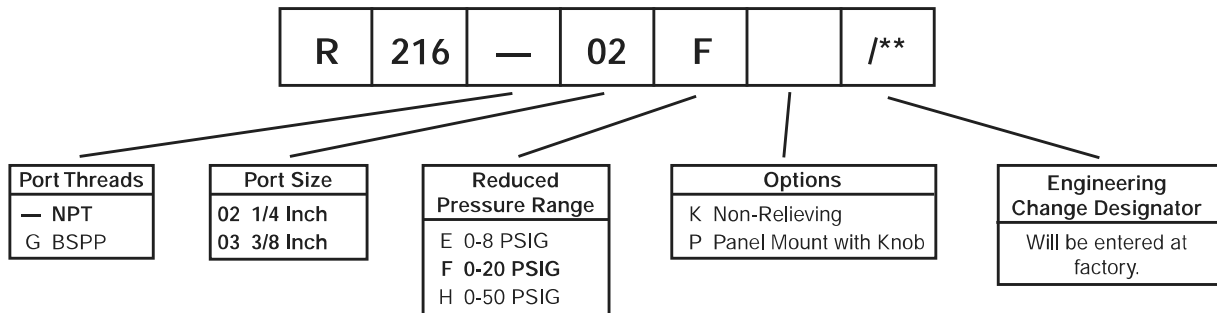
inches
(mm)

Bold Items are Most Popular.

For other models refer to ordering information below.

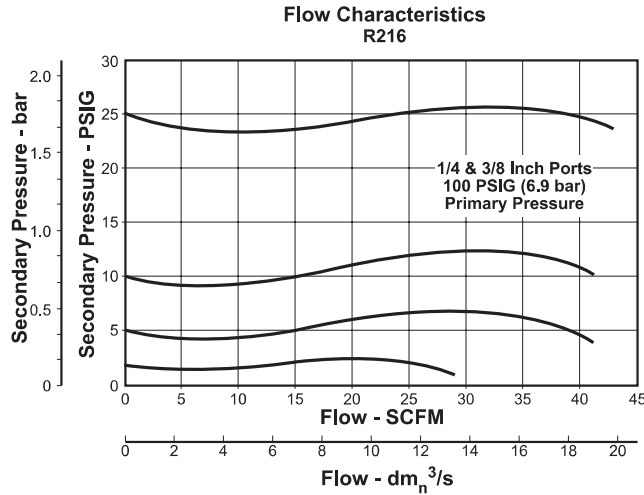
§ SCFM = Standard cubic feet per minute at 100 PSIG inlet, 75 PSIG no flow secondary setting, and 20 PSIG pressure drop.

Ordering Information



BOLD ITEMS ARE MOST POPULAR.

Technical Information



⚠ WARNING

Product rupture can cause serious injury.
 Do not connect regulator to bottled gas.
 Do not exceed maximum primary pressure rating.

⚠ CAUTION:

REGULATOR PRESSURE ADJUSTMENT – The working range of knob adjustment is designed to permit outlet pressures within their full range. Pressure adjustment beyond this range is also possible because the knob is not a limiting device. This is a common characteristic of most industrial regulators, and limiting devices may be obtained only by special design. For best performance, regulated pressure should always be set by increasing the pressure up to the desired setting.

R216 Regulator Kits & Accessories

- Round Plastic Knob 118Y51
- Panel Mount Conversion Kit
 (Spring Cage, Knob, Hardware) 4206
- Repair Kits –
- Non-Relieving Diaphragm,
 Valve Assembly (1/4", 3/8") RK216KY
- Relieving Diaphragm,
 Valve Assembly (1/4", 3/8") RK216Y

Specifications

- Gauge Port (1) 1/8 Inch
- Port Threads 1/4, 3/8 Inch
- Reduced Pressure Range 0.5 to 20 PSIG (0.03 to 1.4 bar)
- Supply Pressure 300 PSIG Maximum (20.4 bar)
- Temperature Rating 40°F to 125°F (4.4°C to 52°C)
- Weight 2.2 lb. (1.00 kg) / Unit
 18 lb. (8.16 kg) / 8-Unit Master Pack

Materials of Construction

- Body, Spring Cage Zinc
- Bottom Plug Brass
- Seals Buna N

