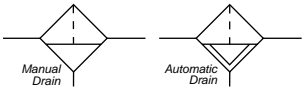
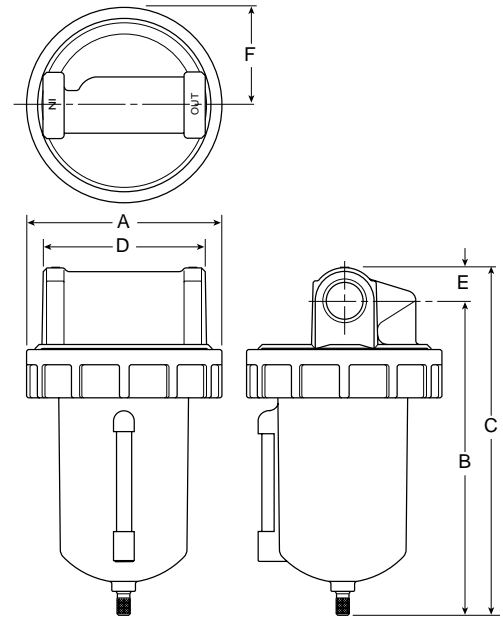


F602 Filters – Hi-Flow



Features

- Excellent water removal efficiency
- For heavy duty applications with minimum pressure drop requirement
- Unique deflector plate that creates swirling of the air stream ensuring maximum water and dirt separation
- Large filter element surface guarantees low pressure drop and increased element life
- 40 micron filter element standard, 5 micron available
- Metal bowl with sight gauge standard
- Twist drain as standard, optional auto drain
- Large bowl capacity
- Optional high capacity bowl(s) available
- High flow: 3/4" – 270 SCFM[§]
 1" – 300 SCFM[§]



Port Size	NPT	
	Twist Drain	Automatic Pulse Drain
Metal Bowl / Sight Gauge - 16 oz.		
3/4"	F602-06WJ	F602-06WJR
1"	F602-08WJ	F602-08WJR
Metal Bowl without Sight Gauge - 32 oz.		
3/4"	F602-06EJ	F602-06EJR
1"	F602-08EJ	F602-08EJR

F602 Filter Dimensions					
A	B	C	D	E	F
F602-06W, F602-08W					
4.90 (124)	7.88 (200)	8.72 (221)	4.06 (103)	.84 (21)	2.45 (62)
F602-06E, F602-08E					
4.90 (124)	11.10 (282)	11.94 (303)	4.06 (103)	.84 (21)	2.45 (62)

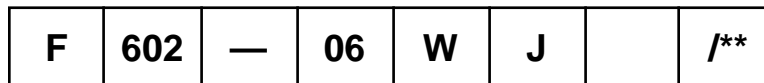
inches (mm)

Standard part numbers shown bold.

For other models refer to ordering information below.

§ SCFM = Standard cubic feet per minute at 90 PSIG inlet and 5 PSIG pressure drop.

Ordering Information



Port Threads
— NPT
G BSPP

Port Size
06 3/4 Inch
08 1 Inch

Bowl
E 32 oz. Large Capacity Metal without Sight Gauge
W 16 oz. Metal with Sight Gauge

Element
G 5 Micron
J 40 Micron

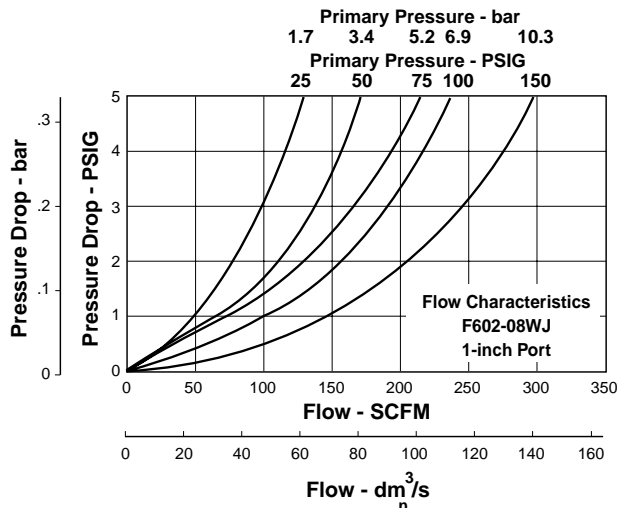
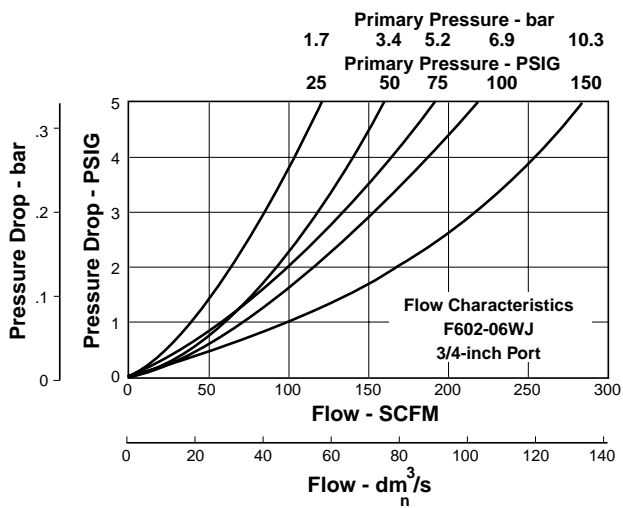
Drains and Options
Blank
Manual Twist Drain
Q External Heavy Duty Auto Drain
R Internal Auto Drain

Engineering Level
* Will be Entered at Factory.

BOLD ITEMS ARE MOST POPULAR.

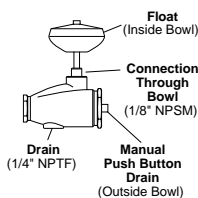


Technical Information



“Q” Option External Heavy Duty Auto Drain
SA602D / SA603D

For heavy duty applications where the filter is being used to remove large volumes of liquid and/or particulate matter from the airstream, the external automatic drain (“Q” option) should be used.



F602 Filter Kits & Accessories

Bowl Kits –

- Aluminum (E) BK603B
- Zinc with Sight Gauge (W)BK605WB

Drain Kits –

- External Auto (E) SA603D
- External Auto (W) SA602D
- Internal Auto (All) SA602MD
- Manual (All) SA600Y7-1
- Semi-Automatic “Overnight” DrainSA602A7
(Drains automatically under zero pressure)

Filter Element Kits –

- 40 Micron (All)EK602B
- 5 Micron (All) EK602VB

Mounting Bracket Kit

(Pair or 2 Kits Pipe Mounted Brackets needed) –

- (3/4" Unit) SA200AW57
- (1" Unit) SA200CW57

Repair Kits –

- Deflector, Baffle Assembly, and Retaining Rod (E,W) RK602B
- External Auto Drain (All) RK602D
- Internal Auto Drain (All) RK602MD
- Metal Bowl Sight Gauge (W) RKB605WB

Specifications

Bowl Capacity –

- Aluminum Bowl (E) 32 Ounces
- Zinc Bowl (W) 16 Ounces

Port Threads

3/4, 1 Inch

() = Bowl Type

Pressure & Temperature Ratings –

- Aluminum Bowl (E) 0 to 300 PSIG (0 to 20.4 bar)
40°F to 150°F (4.4°C to 65.6°C)
- Zinc (W) 0 to 250 PSIG (0 to 17.2 bar)
40°F to 150°F (4.4°C to 65.6°C)
- With Internal Auto Drain (R) 20 to 175 PSIG (1.4 to 11.9 bar)
40°F to 125°F (4.4°C to 52°C)
- With External Auto Drain (Q) 30 to 250 PSIG (0 to 17.2 bar)
40°F to 150°F (4.4°C to 65.6°C)

Weight –

- Aluminum Bowl (E) 7 lb. (3.18 kg) / Unit
28 lb. (12.70 kg) / 4-Unit Master Pack
- Zinc Bowl (W) 6.3 lb. (2.86 kg) / Unit
25 lb. (11.34 kg) / 4-Unit Master Pack

Materials of Construction

BodyZinc

Bowls –

- (E) Aluminum without Sight Gauge
- (W) Zinc with Sight Gauge

Drain –

- Manual Twist & OvernightBrass
- Housing “R”Acetal
- Housing “Q” Bronze

Filter Elements –

- 40 Micron (Standard)Polypropylene
- 5 Micron (Optional)Polypropylene

Seals

.....Nitrile

Sight Gauge

.....Nylon

