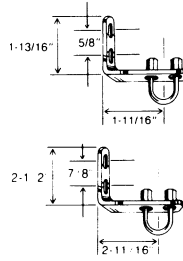


Accessories

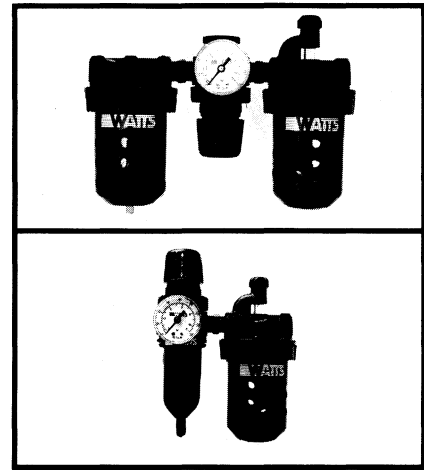
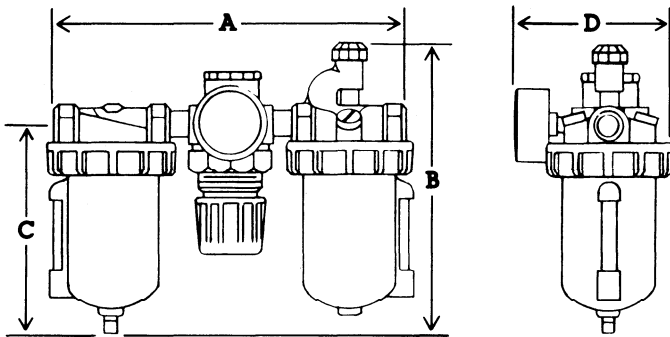
Mounting brackets:

Model No.	For Combination Unit	Port Sizes
SA200YW57 ⁽¹⁾	General Purpose and Standard Series	02
SA200XW57 ⁽¹⁾		03
SA200AW57 ⁽¹⁾	Standard Series	04-06
SA200CW57 ⁽¹⁾		08



⁽¹⁾NOTE: (2) Required per unit.

Combination Type & Port Size	A	B	C	D	Gauge Size
FRL 1/4", 3/8"	8 5/8"	7 5/8"	5 3/8"	4 1/4"	2"
FRL 1/2"	10 3/8"	8 1/8"	5 3/4"	4 7/8"	2"
BL 1/4", 3/8"	5 1/2"	8 1/4"	5 3/8"	4 1/4"	2"
BL 1/2"	6 1/4"	8 1/4"	5 3/4"	4 7/8"	2"



Combination Type & Port Size	A	B	C	D	Gauge Size
FRL 1/4", 3/8"	8 3/4"	7 5/8"	5 3/8"	4 1/8"	2"
FRL 1/2"	10 3/4"	8 1/8"	5 3/4"	4 3/4"	2"
FRL 3/4", 1"	15 3/4"	13"	7 3/4"	6"	2"
FRL 1 1/4", 1 1/2"	16 1/2"	14 1/8"	8 1/8"	6 1/2"	2"

