

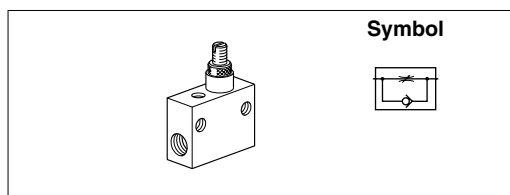
- Integral mounting holes
- Screw driver adjustable
- Panel mounting option



Operating information

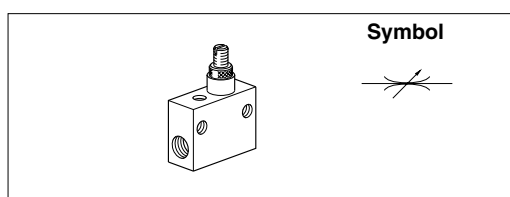
Working pressure Max 10 bar
 Working temperature -20 °C to +70 °C

Flow Control Valves with By-pass



Thread	Number of turns	Qmax input at 6 bar, l/min	Weight kg	Order code
G1/8	13	72	0,03	VQB12-Q-0X-5*
G1/8	13	240	0,03	VQB12-Q-0-5
G1/4	13	1320	0,07	VQB22-Q-0-5
G1/2	13	3600	0,27	VQB42-Q-0-5

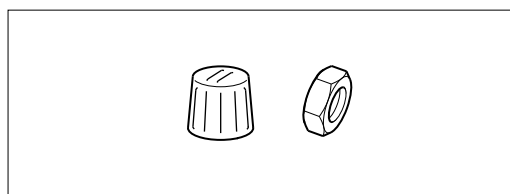
Flow Control Valves with By-directional Control



Thread	Number of turns	Qmax input at 6 bar, l/min	Weight kg	Order code
G1/8	13	72	0,03	VQB12-0X-5*
G1/8	13	240	0,03	VQB12-0-5
G1/4	13	1320	0,07	VQB22-0-5
G1/2	13	3600	0,26	VQB42-0-5

* Extra fine adjustment

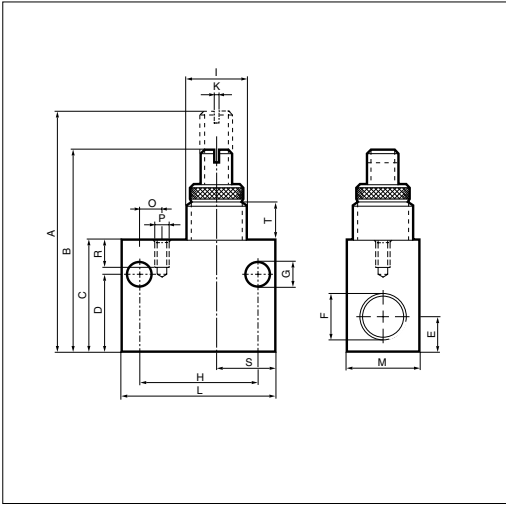
Knob and nut for Panel Mounting



To Suit	Weight kg	Order code
VQB12	0,008	9128177212
VQB22	0,014	9128177222
VQB42	0,037	9128177242

Dimensions, Flow Control Valves, VQB Series

Flow Control Valves - Dimensions



Order code	A	B	C	D	E	F	G	H	I
VQB12-(Q)-OX-5	49	42	22	15	6,5	G1/8	5,8	24	M12x1
VQB12-(Q)-O-5	49	42	22	15	6,5	G1/8	5,8	24	M12x1
VQB22-(Q)-O-5	64	53	30	21	8,5	G1/4	7,0	32	M16x1
VQB42-(Q)-O-5	99	85	50	36	16,5	G1/2	7,0	50	M24x1,5

Order code	K	L	M	O	P	R	S	T
VQB12-(Q)-OX-5	1,2	32	15	-	-	-	13,5	8,8
VQB12-(Q)-O-5	1,2	32	15	-	-	-	13,5	8,8
VQB22-(Q)-O-5	1,2	42	20	6,0	M4	7	16,0	10,0
VQB42-(Q)-O-5	1,8	62	30	19,5	M4	7	20,5	15,2