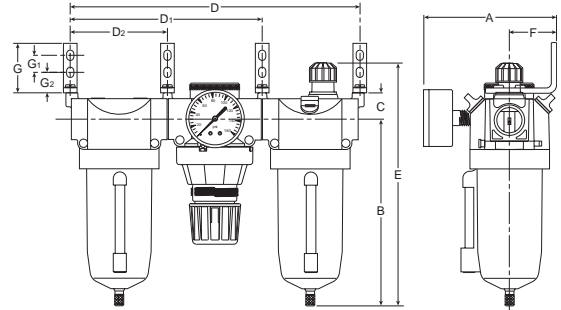
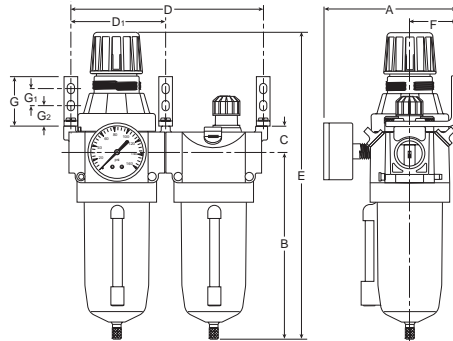
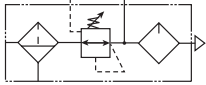


QIX Combinations – C20 / C21 Series

- See individual component pages for details.
- Gauges included on combinations.

Three-Unit Combo



C20-BL



C20-FRL

C20-FRL Dimensions					
A 4.78 (121)	B 6.83 (173)	C .96 (24)	D* 10.60 (269)	D** 10.70 (271)	D₁ 7.13 (181)
D₂ 3.57 (91)	E 8.89 (226)	F 1.69 (43)	G 1.81 (46)	G₁ .75 (19)	G₂ .63 (16)
C20-BL Dimensions					
A 4.78 (121)	B 6.83 (173)	C .96 (24)	D* 7.31 (186)	D** 7.41 (188)	D₁ 3.57 (91)
E 11.27 (286)	F 1.69 (43)	G 1.81 (46)	G₁ .75 (19)	G₂ .63 (16)	

inches
 (mm)
 * 1/4 thru 3/4 Inch Port Insert Size
 ** 1 Inch Port Insert Size

Ordering Information

C	20	—	00	FRL BL	W	J	C	W	/**
----------	-----------	----------	-----------	-------------------------	----------	----------	----------	----------	------------

Adjustment Type

20 Knob
21 Tee Handle

Port Threads

— NPT
G* BSPP

* If ordering BSPP Port Inserts Separately - Order "G00" Unit

Port Size

02 1/4 Inch
03 3/8 Inch
04 1/2 Inch
06 3/4 Inch
08 1 Inch

Combination

BL 2-Unit
FRL 3-Unit

Regulator Reduced Pressure Range

B 0-60 PSIG
C 0-125 PSIG
D 0-250 PSIG

Engineering Change Designator

Will be entered at factory.

Elements

G 5 Micron
J 40 Micron

Drains and Options

K Non-Relieving
R Internal Auto Float Drain
S Automatic Pulse Drain

CAUTION:
REGULATOR PRESSURE ADJUSTMENT – The working range of knob adjustment is designed to permit outlet pressures within their full range. Pressure adjustment beyond this range is also possible because the knob is not a limiting device. This is a common characteristic of most industrial regulators, and limiting devices may be obtained only by special design. For best performance, regulated pressure should always be set by increasing the pressure up to the desired setting.

BOLD ITEMS ARE MOST POPULAR.