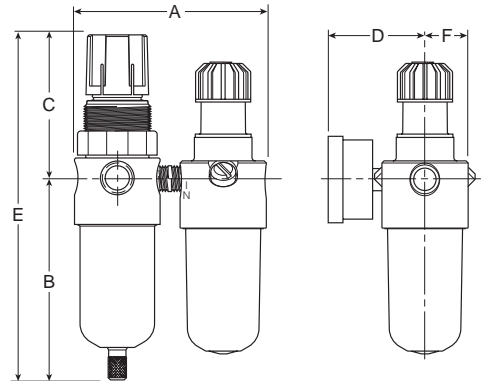
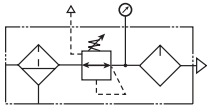


Close Nippled Combinations – C528 Miniature Series

• See individual component pages for details.

Two-Unit Combo



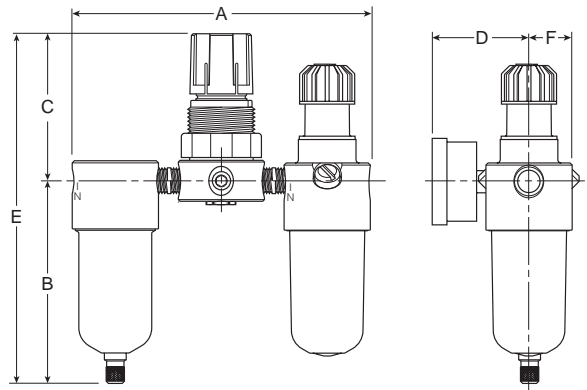
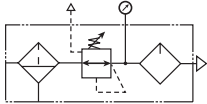
Series	Port	Model Numbers
C528BL	1/8", 1/4"	C528**BLAHCA
	1/8", 1/4"	C528**BLDHCD

A	B	C	D	E	F
3.50 (89)	3.50 (89)	2.38 (60)	1.98 (50)	5.88 (149)	0.77 (20)

** Port Size 01 = 1/8", 02 = 1/4".
 For other models, refer to ordering information on next page.
 For polycarbonate bowl see Caution on page C2.

Inches (mm)
 Note: All dimensions nominal.

Three-Unit Combo



Series	Port	Model Numbers
C528FRL	1/8", 1/4"	C528**FRLAHCA
	1/8", 1/4"	C528**FRLDHCD

A	B	C	D	E	F
5.13 (130)	3.50 (89)	1.63 (41)	1.98 (50)	5.13 (130)	0.77 (20)

** Port Size 01 = 1/8", 02 = 1/4".
 For other models, refer to ordering information on next page.
 For polycarbonate bowl see Caution on page C2.

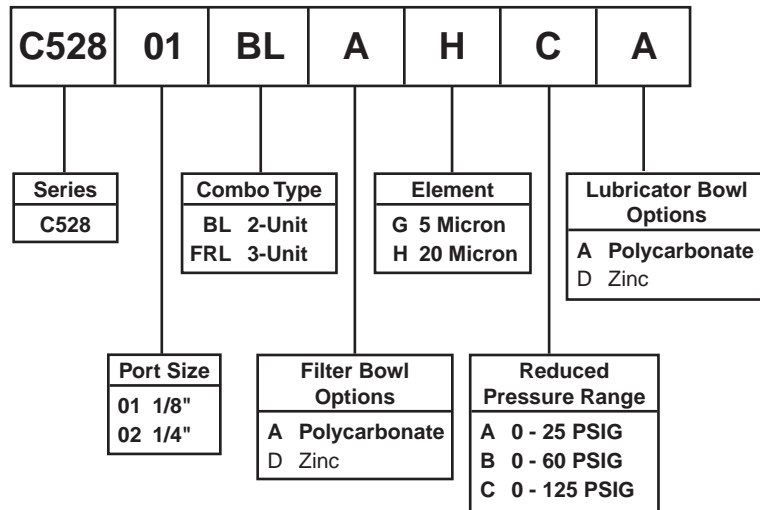
Inches (mm)
 Note: All dimensions nominal.

C

Close Nippled Combinations – C528 Miniature Series

Ordering Information

**BOLD ITEMS ARE
 MOST POPULAR.**

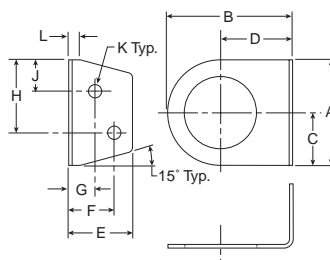


⚠ WARNING
Product rupture can cause serious injury.
Do not connect regulator to bottled gas.
Do not exceed maximum primary pressure rating.

⚠ CAUTION:
REGULATOR PRESSURE ADJUSTMENT – The working range of knob adjustment is designed to permit outlet pressures within their full range. Pressure adjustment beyond this range is also possible because the knob is not a limiting device. This is a common characteristic of most industrial regulators, and limiting devices may be obtained only by special design. For best performance, regulated pressure should always be set by increasing the pressure up to the desired setting.



Mounting Bracket Kit



SA161X57
 (Comes with R05X51-P Panel Nut)

Dimensions

A	B	C	D	E	F	G	H	J	K	L
1.75 (44)	2.06 (53)	0.88 (22)	1.19 (30)	1.06 (27)	0.75 (19)	0.44 (11)	1.22 (31)	0.53 (13)	0.22 (6)	0.19 (5)

Inches (mm)
 Note: All dimensions nominal.

