

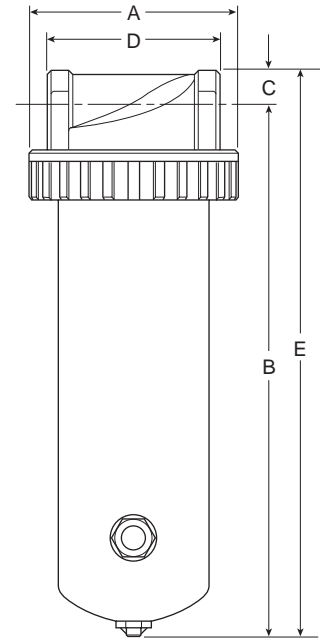
DD Desiccant Dryers

Features

- These Desiccant Dryers are a Convenient and Cost Effective Means of Ensuring Your Sensitive Pneumatic Applications are Never Exposed to Damaging Moisture
- Compact Size for Point-of-Use Applications
- Drying Efficiency Down to -40°F Pressure Dew Point
- Easily and Quickly Serviced
- Sightglass in Bowl to Monitor Desiccant
- Built-in Particulate after Filter Prevents Downstream Dust
- No Electricity Needed
- Low Pressure Drop
- No Purge Air Lost as with Other Dryer Types

Applications

- Paint Spraying
- Instrument Air
- Laboratory Instruments
- Control Air Systems
- Air Blanketing



DD Desiccant Dryer Dimensions				
A	B	C	D*	E
DD15				
4.94 (125)	12.69 (322)	.84 (21)	4.06 (103)	13.5 (343)
DD30				
4.94 (125)	22.44 (570)	.84 (21)	4.06 (103)	23.25 (591)
DD60				
4.94 (125)	29.44 (748)	.84 (21)	4.06 (103)	30.25 (768)

* Dimension does not include reducer bushings for 1/4", 3/8", 1/2" versions.

inches
(mm)

Performance

The rated flow capacities are nominal ratings provided for reference. These capacities are recommended for minimal pressure drop and average desiccant life. A supply of low flow / low humidity air will provide longer desiccant life; whereas, high flow / high humidity air will require more frequent desiccant changes. Installed in an application with intermittent flow, these desiccant dryers will typically dry air for weeks before the silica gel desiccant requires replacement or regeneration.

Ordering Information

Port Size	15 SCFM	30 SCFM	60 SCFM
Desiccant Capacity ¹	2.5 lb ¹	5 lb. ¹	10 lb. ¹
1/4" ²	DD15-02	N/A	N/A
3/8" ²	DD15-03	N/A	N/A
1/2" ²	DD15-04	DD30-04	DD60-04
3/4"	DD15-06	DD30-06	DD60-06
1"	N/A	DD30-08	DD60-08

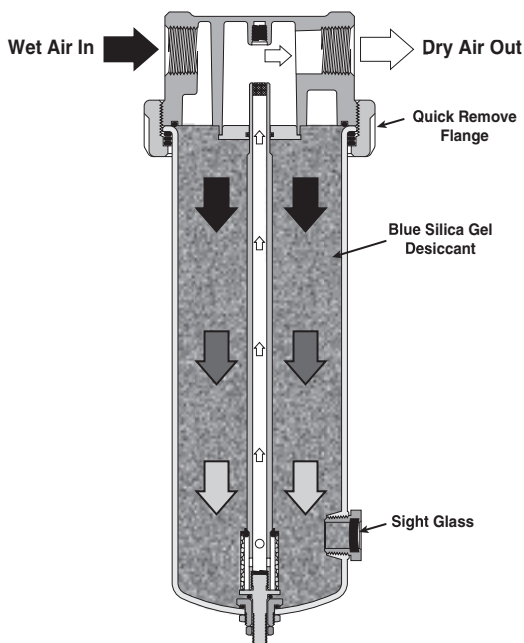
Notes:

1. Desiccant must be ordered separately
2. These units supplied with reducer bushings

B

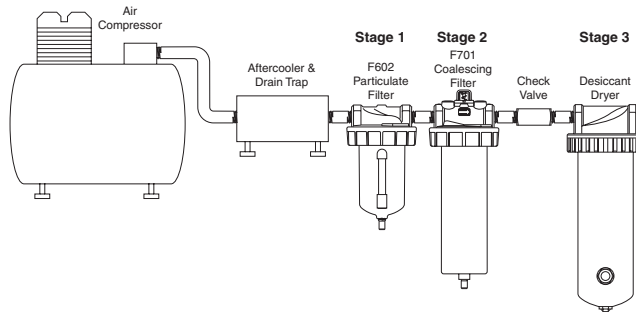
Technical Specifications – DD Series

As the wet compressed air enters through the inlet, the air travels down through the bed of desiccant which adsorb the water vapor and aerosols. The silica gel desiccant beads will reduce the humidity down to a -40°F pressure dew point. After the moisture has been removed, the dry air passes through a sintered bronze filter element (eliminating dust downstream), up the tube and out the outlet port. As the desiccant becomes saturated with moisture, the dew point will begin to rise. This is evident when the blue silica gel desiccant beads in the sight gauge change to pink, indicating the need for desiccant replacement. Simply remove the flange and bowl and replace with new desiccant or regenerate saturated desiccant by heating to 275°F.



Installation Tips

- Always place a moisture separator/particulate filter (i.e., F602) to remove bulk moisture **and** a coalescing filter (i.e., F701) to remove oil upstream of desiccant dryer. Desiccant coated with oil will not adsorb oil.
- Automatic drains should be used in prefilters
- A spring ball check valve should be installed at the dryer inlet to maximize the life of the desiccant.



Air Preparation Stages

Stage	Type of Filter	Example	Function Served in Compressed Air System
1	Particulate / Moisture Removal Filters	F602	Removes bulk moisture & particulate matter ¹
2	Coalescing Filters	F701, 30F, 31F	Removes fine particulate matter, moisture droplets and aerosols, but NOT vapor ²
3	Desiccant Dryer	DD15, DD30, DD60	Removes moisture vapor ³

Notes:

1. Removes approx 75% of moisture.
2. Removes approx 99.97% efficient in removing oil & water aerosols >.01 micron.
3. Provides pressure dew point of -40° F with unsaturated desiccant.

Desiccant Dryers Kits & Accessories

Desiccant - Silica Gel 100% Indicating –

- (6) .88 lb. Bags SGM100-1
- (24) .88 lb. Bags SGM100-4

Flow Tube Repair Kit (Tube, Filter Element(s), Adaptor)

- DD15 RKDD15-02-06
- DD30 RKDD30-03-08
- DD60 RKDD60-03-08

Mounting Brackets (Recommended for DD15 & DD30 only) –

- 1/4 Inch Pipe Size (Pair of Pipe Mounted Brackets) SA200YW57
- 1 Inch Pipe Size (Pair of Pipe Mounted Brackets) SA200CW57

Spring Check Valve for Inlet (250 PSIG max.) –

- (Maximizes Life of Desiccant)
- 1/4 Inch NPT..... 003393001
- 3/8 Inch NPT..... 003393002
- 1/2 Inch NPT..... 003393003
- 3/4 Inch NPT..... 003393004

Specifications

Desiccant Capacity (Desiccant must be ordered separately) –

- DD15 2.5 lb.
- DD30 5 lb.
- DD60 10 lb.

Filter Element Rating –

- DD15, DD30 90 micron
- DD60 40 micron

Pressure & Temperature Ratings –

- Optimum working temperature Below 100° F
- Pressure Range..... 0 to 300 PSIG
- Temperature Range..... 32°F to 180°F

Weight (Housing Only) –

- DD15 (add 2.5 lb for weight full) 8 lb.
- DD30 (add 5 lb for weight full) 13 lb.
- DD60 (add 10 lb for weight full) 20 lb.

Materials of Construction

Bowl –

- DD15, DD30 Aluminum
- DD60 Steel

Flow Tube

..... CPVC

Filter Elements

..... Sintered Bronze

Head & Flange Ring

..... Zinc

Other Hardware

..... Brass

Seals

..... Buna-N

Sight Glass

..... Glass & Steel

