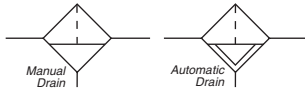


A

F101 Coalescing Filter



Features

- Connects to Other QUBE Units Using Just Screws and O-rings (Included)
- Integral Mounting Slots Eliminate Need for Mounting Brackets
- Removes Oil and Water Aerosols, as Well as Particulate Matter Down To 0.01 Micron.
- Pleated Element for Longer Life and Lower Pressure Drop
- Integral Pop-up Style Element Service Life Indicator
- Large Filter Element Surface Guarantees Low Pressure Drop and Increased Element Life
- Activated Carbon Elements Available for Oil Vapor Removal
- Transparent Polyurethane Bowl with Bowl Guard as Standard
- Metal Bowl with Wraparound Sight Gauge Optional
- Manual Drain as Standard, Optional Auto Float Drain
- Large Bowl Capacity
- High Flow: 1/2", 3/4" - 85 SCFM[§]

Polyurethane Bowls and Sight Gauges Offer Improved Chemical Compatibility.



Port Size	NPT		BSPP	
	Manual Twist Drain	Automatic Float Drain	Manual Twist Drain	Automatic Float Drain
Polyurethane Bowl / Plastic Guard				
1/2"	F101-04BJ	F101-04BJR	F101G04BJ	F101G04BJR
3/4"	F101-06BJ	F101-06BJR	F101G06BJ	F101G06BJR
Metal Bowl / Sight Gauge				
1/2"	F101-04WJ	F101-04WJR	F101G04WJ	F101G04WJR
3/4"	F101-06WJ	F101-06WJR	F101G06WJ	F101G06BWR

Wraparound Sight Gauge Bowl
 All QUBE filters, lubricators, and integrals are available with the Watts Wraparound Polyurethane Sight Gauge Bowl. These unique bowls provide the 360° visibility of a plastic bowl while maintaining the high strength and safety features of metal bowls. Polyurethane bowls with guards, and metal bowls, are also available.

Bold Items are Most Popular.

For other models refer to ordering information below.

[§] SCFM = Standard Cubic Feet Per Minute at 100 PSIG Inlet, and 5 PSIG Pressure Drop.

Ordering Information



Port Threads
— NPT
G BSPP

Port Size
04 1/2"
06 3/4"

Bowl
B Transparent with Plastic Bowl Guard
D Metal without Sight Gauge
W Metal with Wraparound Sight Gauge

Element
A Activated Carbon
J .01 Micron

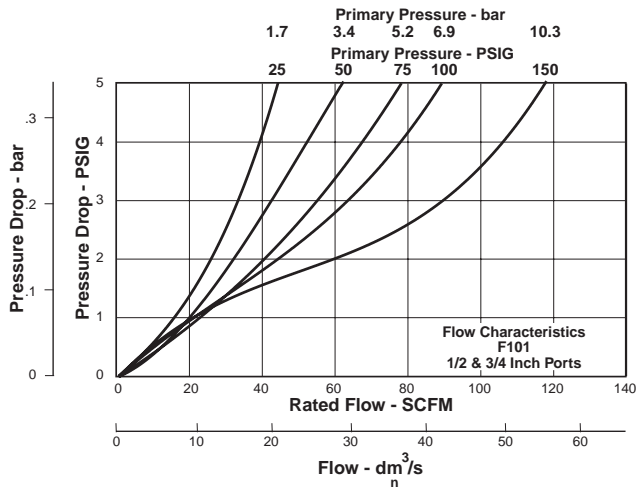
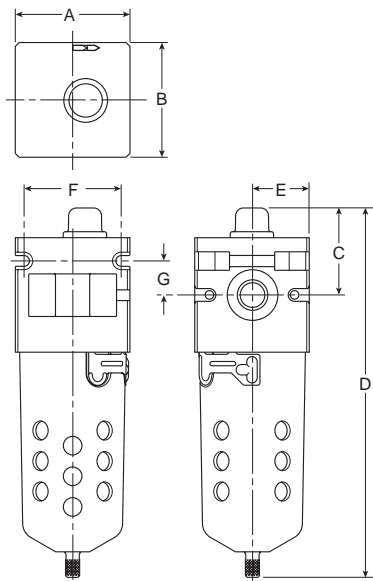
Options
R Automatic Float Drain
U* Overnight Drain (Dump Valve)

Engineering Change Designator
Will be entered at factory.

*B & D Bowls only

BOLD ITEMS ARE MOST POPULAR.

Technical Information



F101 Coalescing Filter Dimensions								
A*	A†	B	C	D	E	F*	F†	G
F101-BJ, F101-DJ								
2.69 (68.4)	3.03 (77.0)	2.69 (68.4)	2.06 (52.2)	8.59 (218.3)	1.35 (34.3)	2.18 (56.4)	2.55 (64.8)	0.81 (20.6)
F101-WJ								
2.69 (68.4)	3.03 (77.0)	2.69 (68.4)	2.06 (52.2)	8.75 (222.6)	1.35 (34.3)	2.18 (56.4)	2.55 (64.8)	0.81 (20.6)

Inches (mm)
 * 3/8 and 1/2 Inch Ports
 † 3/4 Inch Ports

**F101 Coalescing Filter
 Kits & Accessories**

- Bowl Kits –**
 Polyurethane (B)..... BKF105B
 Metal (D)..... BKF105D
 Metal (W) Wraparound Sight Gauge BKF105W

- Drain Kits –**
 Manual Twist Drain SA600Y7-1
 Internal Auto (Max. Pressure: 175 PSIG) (B & D)..... SA602MD
 Internal Auto (Max. Pressure: 175 PSIG) (W)..... SAF105MD
 Semi-Automatic “Overnight” Drain..... SA602A7
 (Drains automatically under zero pressure)

- Filter Element Kits –**
 Activated Carbon EKF101A
 Coalescing..... EKF101

Face Mounting Bracket Kit (See Page A66) SAR105Y57

- Repair Kits –**
 Deflector, Element, Retainer RFK100
 Internal Auto Drain..... RK602MD

Specifications

Bowl Capacity 8.5 Ounce

Port Threads 1/2, 3/4 Inch

Pressure & Temperature Ratings –
 Polyurethane Bowl..... 0 to 150 PSIG (0 to 10.2 bar)
 40°F to 125°F (4.4°C to 52°C)

- Zinc Bowl 0 to 300 PSIG (0 to 20.4 bar)
 40°F to 180°F (4.4°C to 82.2°C)
 With Automatic Float Drain..... 175 PSIG Max. Press. (11.9 bar)
 40°F to 125°F (4.4°C to 52°C)
 Zinc Bowl w/ Sight Gauge 0 to 250 PSIG (0 to 17.2 bar)
 With Automatic Float Drain..... 175 PSIG Max. Press. (11.9 bar)
 40°F to 125°F (4.4°C to 52°C)

- Weight –**
 Polyurethane Bowl..... 1.10 lb. (0.50kg) / Unit
 10.8 lb. (4.9 kg) / 8-Unit Master Pack
 Zinc Bowl 1.54 lb. (0.70 kg) / Unit
 14.3 lb. (6.5 kg) / 8-Unit Master Pack
 Zinc Bowl W/ Sight Gauge..... 1.74 lb. (0.79 kg) / Unit
 15.9 lb. (7.2 kg) / 8-Unit Master Pack

Materials of Construction

- Body** Zinc
Bowls Polyurethane
 Metal (Zinc)
Coalescing Element Borosilicate Fiber & Polyamide Foam
Carbon Element Acetal 30% Glass Filled Activated Carbon
Drains Brass
Seals Buna-N

