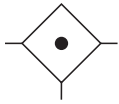
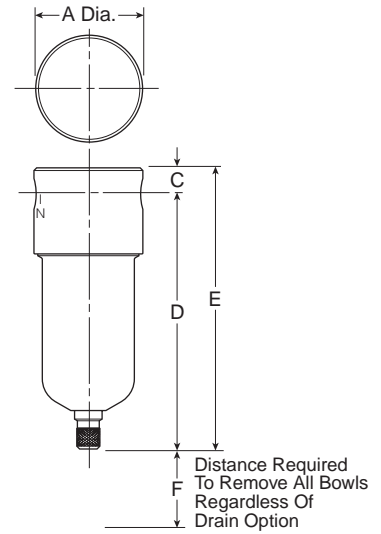


F504 Filters – Miniature



Features

- Excellent Water Removal Efficiency
- Unique Deflector Plate that Creates Swirling of the Air Stream Ensuring Maximum Water and Dirt Separation
- Easily Disassembled for Servicing Without the Use of Tools
- Interchangeable Twist and Automatic Pulse Drains
- High Flow: 22 SCFM[§]



C

Port Size	NPT	
	Twist Drain	Automatic Pulse Drain
Polycarbonate Bowl †		
1/8"	F504-01AH	F504-01AHS
1/4"	F504-02AH	F504-02AHS
Metal Bowl without Sight Gauge		
1/8"	F504-01DH	F504-01DHS
1/4"	F504-02DH	F504-02DHS

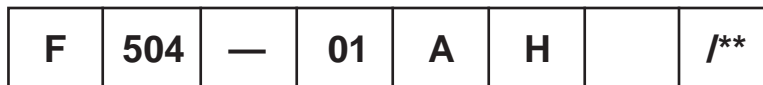
F504 Filter Dimensions		
A 1.56 (39.7)	C 0.38 (9.5)	D 3.78 (96)
D† 3.62 (92)	E 4.16 (105.6)	E† 4.00 (101.6)
F .75 (77)	F† .75 (77)	

Bold Items are Most Popular.
 For other models refer to ordering information below.

† For polycarbonate bowl see Caution on page C2.
 § SCFM = Standard cubic feet per minute at 90 PSIG inlet and 5 PSIG pressure drop.

Inches (mm)
 † With Metal Bowl

Ordering Information



Port Threads
— NPT
G BSPP

Port Size
01 1/8 Inch
02 1/4 Inch

Bowl
A Polycarbonate
D Metal

Elements
G 5 Micron
H 20 Micron

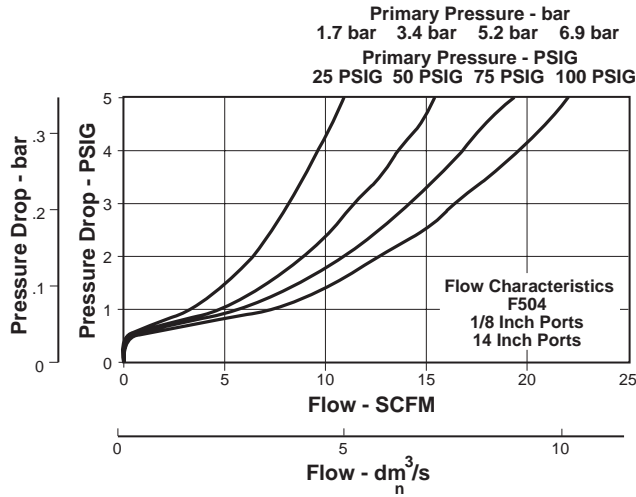
Drains and Options	
Blank	Manual Twist Drain
S	Automatic Pulse Drain
U	Semi-Auto Drain
X11	No Internal Parts
X33*	Polyurethane Bowl
X64	Fluorocarbon Seals
X67	With Mounting Bracket

Engineering Change Designator
Will be entered at factory.

BOLD ITEMS ARE MOST POPULAR.

* Add .65" to overall length.

Technical Information



F504 Filter Kits & Accessories

- Bowl Kits –**
 Metal (D) BK505Y
 Metal (D) with Automatic Pulse Drain BK505SY
 Polycarbonate (A) BK504Y
 Polycarbonate (A) with Automatic Pulse Drain BK504SY
- Drain Kits –**
 Automatic Pulse Drain RK504SY
 Manual Twist Drain SA600Y7-1
 Semi-Automatic “Overnight” Drain SA602A7
 (Drains automatically under zero pressure)
- Filter Element Kits –**
 5 Micron (All) EK504VY
 20 Micron (All) EK504Y
- Mounting Bracket Kit** Must be Ordered with Filter

Specifications

- Bowl Capacity** 1 Ounce
- Port Threads** 1/8, 1/4 Inch
- Pressure & Temperature Ratings –**
 Polycarbonate Bowl 0 to 150 PSIG (0 to 10.2 bar)
 40°F to 125°F (4.4°C to 52°C)
 Metal Bowl 0 to 300 PSIG (0 to 20.4 bar)
 40°F to 180°F (4.4°C to 82.2°C)
 With Automatic Pulse Drain 175 PSIG Max. Press. (11.9 bar)
- Weight**
 Polycarbonate Bowl 0.3 lb. (0.14 kg) / Unit
 7 lb. (3.18 kg) / 24-Unit Master Pack
 Metal Bowl 0.5 lb. (0.23 kg) / Unit
 12 lb. (5.44 kg) / 24-Unit Master Pack

Materials of Construction

- Body** Aluminum
- Bowls** Polycarbonate
 Metal (Zinc)
- Drains** Brass
- Filter Elements** Polypropylene
- Seals** Nitrile

() = BOWL TYPE

