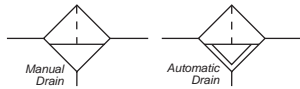
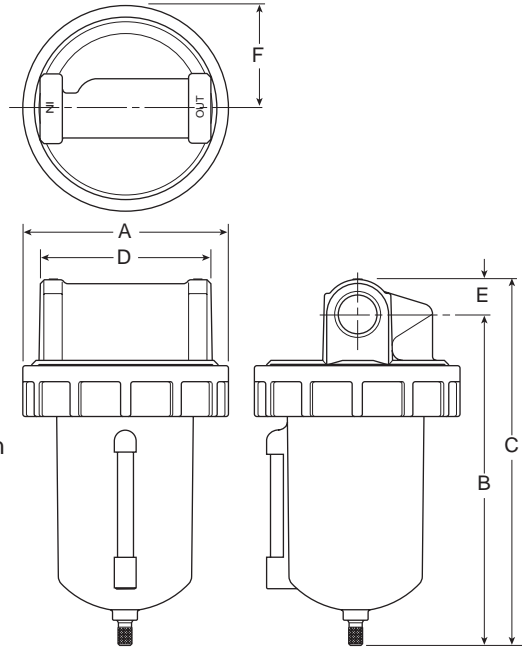


**F602 Standard Filters**



**Features**

- Excellent Water Removal Efficiency
- For Heavy Duty Applications with Minimum Pressure Drop Requirement
- Unique Deflector Plate that Creates Swirling of the Air Stream Ensuring Maximum Water and Dirt Separation
- Large Filter Element Surface Guarantees Low Pressure Drop and Increased Element Life
- 40 Micron Filter Element Standard, 5 Micron Available
- Metal Bowl with Sight Gauge Standard
- Twist Drain as Standard, Optional Auto Drain
- Large Bowl Capacity
- Optional High Capacity Bowl(s) Available
- High Flow: 3/4" - 220 SCFM<sup>§</sup>  
 1" - 240 SCFM<sup>§</sup>



Port Size	NPT		BSPP	
	Manual Twist Drain	Internal Auto Drain	Manual Twist Drain	Internal Auto Drain
<b>Metal Bowl / Sight Gauge</b>				
3/4"	<b>F602-06WJ</b>	<b>F602-06WJR</b>	F602G06WJ	F602G06WJR
1"	<b>F602-08WJ</b>	<b>F602-08WJR</b>	F602G08WJ	F602G08WJR
<b>Aluminum Bowl 32 oz. without Sight Gauge</b>				
3/4"	<b>F602-06EJ</b>	<b>F602-06EJR</b>	F602G06EJ	F602G06EJR
1"	<b>F602-08EJ</b>	<b>F602-08EJR</b>	F602G08EJ	F602G08EJR

F602 Filter Dimensions					
A	B	C	D	E	F
<b>F602-06W, F602-08W</b>					
4.90 (124)	7.88 (200)	8.72 (221)	4.06 (103)	0.84 (21)	2.45 (62)
<b>F602-06E, F602-08E</b>					
4.90 (124)	11.10 (282)	11.94 (303)	4.06 (103)	0.84 (21)	2.45 (62)

inches  
(mm)

**Bold Items are Most Popular.**

For other models refer to ordering information below.

<sup>§</sup> SCFM = Standard cubic feet per minute at 100 PSIG inlet, and 5 PSIG pressure drop with 40 micron element.

**Ordering Information**

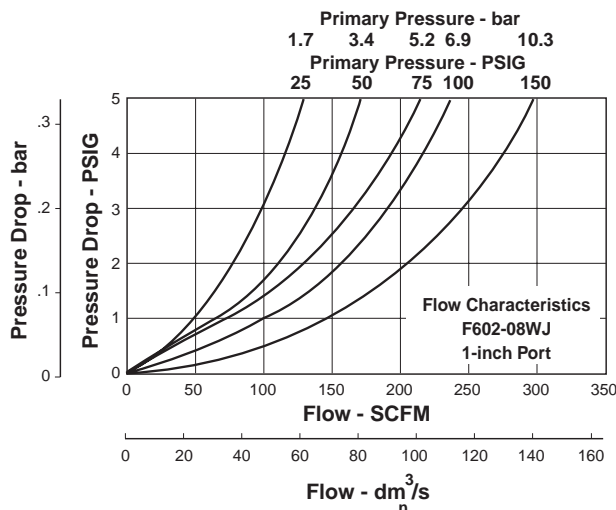
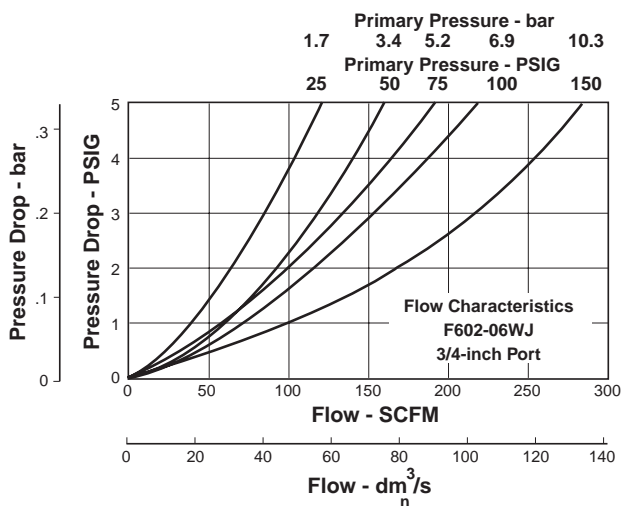


<b>Port Threads</b> — NPT G BSPP	<b>Port Size</b> <b>06 3/4 Inch</b> <b>08 1 Inch</b>	<b>Bowl</b> E 32 oz. Large Capacity without Sight Gauge <b>W 16 oz. Metal with Sight Gauge</b>	<b>Elements</b> G 5 Micron <b>J 40 Micron</b>	<b>Drains and Options</b> <b>Blank Manual Twist Drain</b> Q External Heavy Duty Auto Drain R Internal Auto Drain U Semi-Auto Drain	<b>Engineering Change Designator</b> Will be entered at factory.
--	--	--	---	--	---

**BOLD ITEMS ARE MOST POPULAR.**

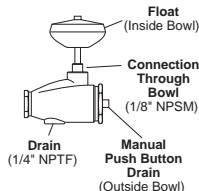


**Technical Information**



**“Q” Option External Heavy Duty Auto Drain  
 SA602D / SA603D**

For heavy duty applications where the filter is being used to remove large volumes of liquid and/or particulate matter from the airstream, the external automatic drain (“Q” option) should be used.



**F602 Filter Kits & Accessories**

**Bowl Kits –**

- Metal with Sight Gauge (W) .....BK605WB
- Aluminum (E) ..... BK603B

**Drain Kits –**

- External Auto (W) .....SA602D
- External Auto (E) ..... SA603D
- Internal Auto (All) .....SA602MD
- Manual (All) .....SA600Y7-1
- Semi-Automatic “Overnight” Drain ..... SA602A7  
 (Drains automatically under zero pressure)

**Filter Element Kits –**

- 40 Micron (All) ..... EK602B
- 5 Micron (All) .....EK602VB

**Mounting Bracket Kit**

**(Pair or 2 Kits of Pipe Mounted Brackets needed) –**

- (3/4" Unit) ..... SA200AW57
- (1" Unit) .....SA200CW57

**Repair Kits –**

- Deflector, Baffle Assembly, and Retaining Rod (E,W) ..... RK602B
- External Auto Drain (All) .....RK602D
- Internal Auto Drain (All) .....RK602MD
- Metal Bowl with Sight Gauge (W) ..... RKB605WB

**Specifications**

**Bowl Capacity –**

- Metal Bowl (W) ..... 16 Ounces
- Metal Bowl (E) ..... 32 Ounces

**Port Threads**.....3/4, 1 Inch

( ) = BOWL TYPE

**Pressure & Temperature Ratings –**

- Metal Bowl (W) ..... 0 to 250 PSIG (0 to 17.2 bar)  
 40°F to 150°F (4.4°C to 65.6°C)
- Aluminum Bowl (E) ..... 0 to 300 PSIG (0 to 20.4 bar)  
 40°F to 150°F (4.4°C to 65.6°C)
- With Internal Auto Drain (R) ..... 20 to 175 PSIG (1.4 to 11.9 bar)  
 40°F to 125°F (4.4°C to 52°C)
- With External Auto Drain (Q) ..... 0 to 250 PSIG (0 to 17.2 bar)  
 40°F to 150°F (4.4°C to 65.6°C)

**Weight –**

- Metal Bowl (W) ..... 6.3 lb. (2.86 kg) / Unit
- Metal Bowl (E) ..... 25 lb. (11.34 kg) / 4-Unit Master Pack
- Aluminum Bowl ..... 7 lb. (3.18 kg) / Unit  
 28 lb. (12.70 kg) / 4-Unit Master Pack

**Materials of Construction**

**Body** .....Zinc

**Bowls –**

- Metal Bowl (W) ..... Zinc with Sight Gauge
- Metal Bowl (E) ..... Aluminum without Sight Gauge

**Drain –**

- Manual Twist & Overnight ..... Brass
- Housing “R” ..... Acetal
- Housing “Q” ..... Bronze

**Filter Elements –**

- 40 Micron (Standard) ..... Polypropylene
- 5 Micron (Optional) ..... Polypropylene

**Seals** ..... Nitrile

**Sight Gauge** ..... Nylon

