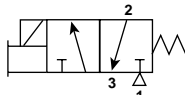


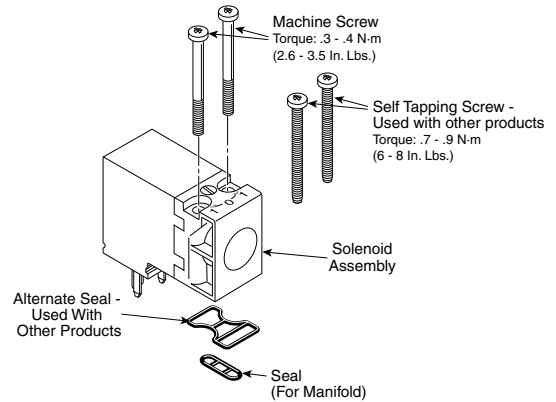
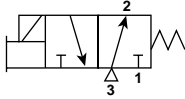


15mm Solenoid Kit Information

3/2 Normally Non-passing (NNP) /
Normally Closed (NC) Valves



3/2 Normally Passing (NP) /
Normally Open (NO) Valves



NC (NNP) Solenoids / Kits

Kit No.	* Override	## Voltage (S = Standard, O = Optional, — = N/A)				
		42 (24VAC)	45 (12VDC)	49 (24VDC)	53 (120VAC)	57 (230VAC)
PS2982*##P Pins: UP NC / NNP 1.2W / 1.6VA	B (Non-lock, Flush)	O	O	S	S	O
	C (Lock, Flush)	O	O	S	S	O
	D (Non-lock, Ext)	—	—	O	O	—
PS3541*##P Pins: DOWN NC / NNP 1.8W / 2.4VA	B (Non-lock, Flush)	O	O	S	S	—
	C (Lock, Flush)	O	O	S	S	—
	D (Non-lock, Ext)	—	—	O	O	—
	E (Lock, Ext)	—	—	O	O	—
PS3441*##P Pins: DOWN NC / NNP 1.2W / 1.6VA	B (Non-lock, Flush)	O	O	O	O	O
	C (Lock, Flush)	O	O	O	O	O
PS3202*##P Pins: UP NO / NP 1.2W / 1.6VA	B (Non-lock, Flush)	O	O	S	S	—

* Override

Voltage

BOLD ITEMS ARE MOST POPULAR.

Technical Data

Electrical Interface Per:

Din 43650 Form C (EN175301-803C)

Pneumatic Interface Per:

Afnor E 0652 110 N

Protection:

IP65 (Washdown)

Air Flow:

Standard Flow 0.033 Cv (33 Lpm) (1.2W) (1.6VA)

High Flow 0.05 Cv (50 Lpm) (1.8W) (2.4VA)

Operating Temperature:

Standard Flow: 5°F to 140°F (-15°C to 60°C)

High Flow: 5°F to 122°F (-15°C to 50°C)

Mobile Applications (47 & 48 Voltage Options):

-40°F to 158°F (-40°C to 70°C)

Operating Pressure:

Vacuum to 145 PSIG (Vacuum to 10 bar)

Storage Temperature:

All Applications: -40°F to 158°F (-40°C to 70°C)

Voltage Tolerance:

All Voltages Except 47 & 48: Rated Voltage +10% / -15%

Options 47 & 48: Rated Voltage +25% / -30%

Materials

Valve:

Body: Glass Filled Polyamide

Internal Metal Parts: Steel

Screws: Steel

Bottom Plug: Thermoplastic

Poppet Seals: Nitrile for Standard, Fluorocarbon for Mobile