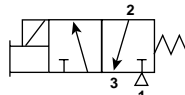


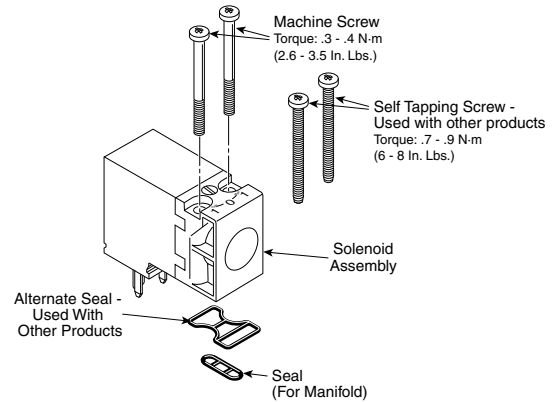
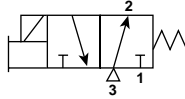


# 15mm Solenoid Kit Information

3/2 Normally Non-passing (NNP) /  
Normally Closed (NC) Valves



3/2 Normally Passing (NP) /  
Normally Open (NO) Valves



## NC (NNP) Solenoids / Kits

Kit No.	* Override	## Voltage (S = Standard, O = Optional, — = N/A)				
		42 (24VAC)	45 (12VDC)	49 (24VDC)	53 (120VAC)	57 (230VAC)
<b>PS2982*##P</b> Pins: UP NC / NNP 1.2W / 1.6VA	<b>B (Non-lock, Flush)</b>	O	O	<b>S</b>	<b>S</b>	O
	<b>C (Lock, Flush)</b>	O	O	<b>S</b>	<b>S</b>	O
	<b>D (Non-lock, Ext)</b>	—	—	O	O	—
<b>PS3541*##P</b> Pins: DOWN NC / NNP 1.8W / 2.4VA	<b>B (Non-lock, Flush)</b>	O	O	<b>S</b>	<b>S</b>	—
	<b>C (Lock, Flush)</b>	O	O	<b>S</b>	<b>S</b>	—
	<b>D (Non-lock, Ext)</b>	—	—	O	O	—
	<b>E (Lock, Ext)</b>	—	—	O	O	—
<b>PS3441*##P</b> Pins: DOWN NC / NNP 1.2W / 1.6VA	<b>B (Non-lock, Flush)</b>	O	O	O	O	O
	<b>C (Lock, Flush)</b>	O	O	O	O	O
<b>PS3202*##P</b> Pins: UP NO / NP 1.2W / 1.6VA	<b>B (Non-lock, Flush)</b>	O	O	<b>S</b>	<b>S</b>	—

\* Override

## Voltage

**BOLD ITEMS ARE MOST POPULAR.**

## Technical Data

### Electrical Interface Per:

Din 43650 Form C (EN175301-803C)

### Pneumatic Interface Per:

Afnor E 0652 110 N

### Protection:

IP65 (Washdown)

### Air Flow:

Standard Flow 0.033 Cv (33 Lpm) (1.2W) (1.6VA)

High Flow 0.05 Cv (50 Lpm) (1.8W) (2.4VA)

### Operating Temperature:

Standard Flow: 5°F to 140°F (-15°C to 60°C)

High Flow: 5°F to 122°F (-15°C to 50°C)

Mobile Applications (47 & 48 Voltage Options):

-40°F to 158°F (-40°C to 70°C)

### Operating Pressure:

Vacuum to 145 PSIG (Vacuum to 10 bar)

### Storage Temperature:

All Applications: -40°F to 158°F (-40°C to 70°C)

### Voltage Tolerance:

All Voltages Except 47 & 48: Rated Voltage +10% / -15%

Options 47 & 48: Rated Voltage +25% / -30%

## Materials

### Valve:

Body: Glass Filled Polyamide

Internal Metal Parts: Steel

Screws: Steel

Bottom Plug: Thermoplastic

Poppet Seals: Nitrile for Standard, Fluorocarbon for Mobile

