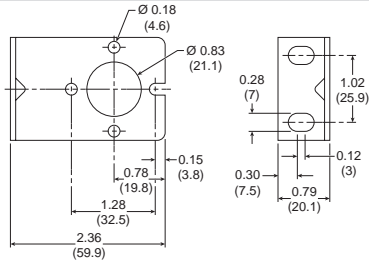
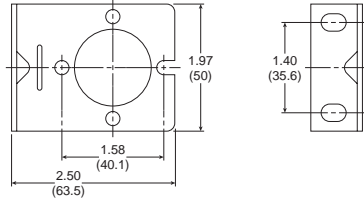


A

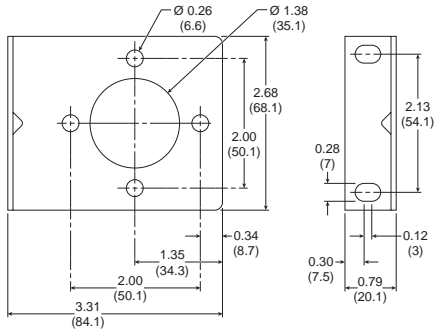
QUBE Series End / Wall Mount Brackets



35 Series Bracket - SAR35Y57



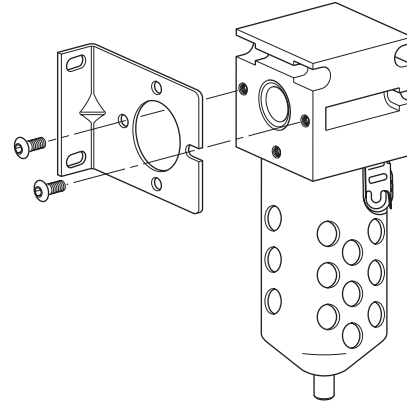
75 Series Bracket - SAR75Y57



105 Series Bracket - SAR105Y57

QUBE FRL components have integral mounting slots that usually eliminate the need for mounting brackets. However, some applications may require the use of mounting brackets:

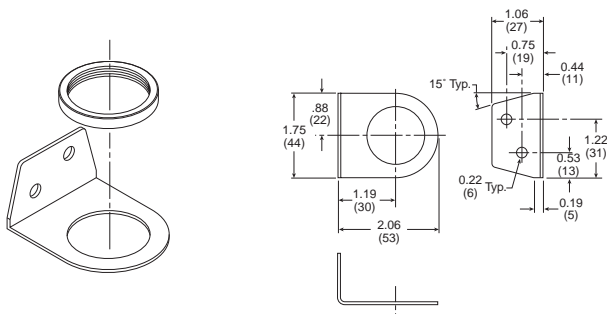
- Assemblies incorporating components from multiple series.
- Applications where the FRL needs to be spaced away from the machine.



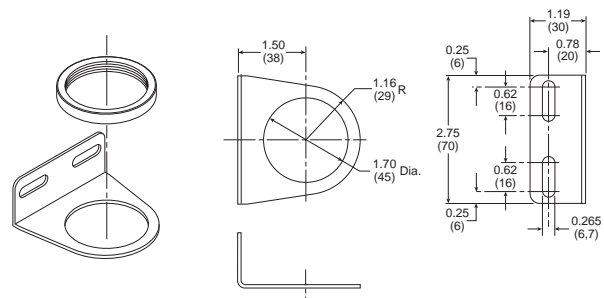
Bracket Installation

QUBE Series Panel Mount Brackets

These brackets are designed to mount regulators and integral filter / regulators using panel mount threads on spring cage.



35 & 75 Series QUBE



105 Series QUBE

Part Number: **SA161X57**
 (Comes complete with R05X51-P Plastic Panel Nut)

Part Number: **SAR10Y57**
 (Comes complete with R10X51-P Plastic Panel Nut)