

**“J” Series Limit Switches**

**Switch Bodies Only**



PXCJ117

Part Number	Type of Switching*
PXCJ117	NNP
PXCJ127	NP

**Switch Bodies with Rotary Head**



PXCJ11701

Part Number	Direction of Actuation	Type of Switching*
PXCJ11701	Right & Left, Spring Return	NNP
PXCJ11705	Right or Left, Spring Return	
PXCJ12701	Right & Left, Spring Return	NP
PXCJ12705	Right or Left, Spring Return	

**Operating Levers for Rotary Heads**



ZC2JY11



ZC2JY31



ZC2JY81



ZC2JY91

Die Cast Zinc. For Use With PXCJ Switch Bodies		
Part Number	Operator	Description
ZC2JY11	Delrin Roller	Spring Return
ZC2JY13	Steel Roller	
ZC2JY21	Offset Delrin Roller	
ZC2JY81	Plastic Spring Rod	
ZC2JY91	Metal Spring Rod	
ZC2JY31	Delrin Roller	Adjustable Roller
ZC2JY41	Offset Delrin Roller	
ZC2JY51		Rod Lever
ZC2JY71	Single Track, Delrin Roller	Fork Lever
ZC2JY61	Double Track, Delrin Rollers	

NNP: Normally Non-Passing

NP: Normally Passing

**Top Plunger & Rotary Operating Heads**



ZC2JE70



ZC2JE01

Die Cast Zinc. For Use With PXCJ Switch Bodies		
Top Plunger Type		
Part Number	Operation	Description
ZC2JE61	Top Push	Spring Return
ZC2JE62	Top Roller Push	
ZC2JE63	Side Push	
ZC2JE70	Cat's Whisker	
Rotary Type		
ZC2JE01	From Left & Right	Spring Return
ZC2JE02	Counterclockwise From Right	
ZC2JE03	Clockwise From Left	
ZC2JE05	From Left or Right	
ZC2JE09	Maintained Positions	



**Specifications**

**Air Quality –**

Standard Shop Air, Lubricated or Dry, 40µm Filtration

**Flow SCFM (NI/min).....** 7.4 (210)

**Materials –**

Body..... Zinc Alloy

Poppets..... Polyurethane

Seals..... Nitrile (Buna N)

**Maximal Operating Frequency .....** 5 Hz

**Nominal Bore Ø .....** 1/8" (3 mm)

**Number of Operations with Dry Air at 90 PSI (6 bar) and**

**68°F (20°C) – Frequency 1 Hz.....** 10 Million

**Operating Positions.....** All Positions

**Operating Pressure .....** 40 to 115 PSIG (3 to 8 bar)

**Ports .....** 1/8" NPT

**Temperature –**

Operating..... 32°F to 122°F (0°C to + 50°C)

Storage..... -22°F to 140°F (-30°C to +60°C)

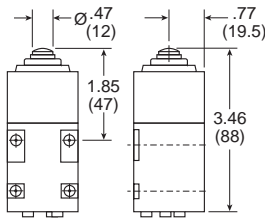
**Operator Specifications**

	ZC2JE61	ZC2JE62	ZC2JE70	ZC2JE01	ZC2JE05
<b>Differential Angle</b>	—	5°	5°	2°	2°
<b>Differential Travel at 90 PSI (6 bar)</b>	.008" (0.2 mm)	—	—	—	—
<b>Maximum Angle of Travel</b>	—	—	—	75°	75°
<b>Maximum Travel (B) at 90 PSIG (6 bar)</b>	228" (5.8 mm)	—	—	—	—
<b>Minimum Pre-Travel (A) at 90 PSIG (6 bar)</b>	.059" (1.5 mm)	—	—	—	—
<b>Minimum Operating Force at 90 PSI (6 bar)</b>	3.6 lbf (16N)	—	—	—	—
<b>Minimum Operating Torque at 90 PSI (6 bar)</b>	7.1 oz in (50Nm)	35.4 oz in (250Nm)	35.4 oz in (250Nm)	35.4 oz in (250Nm)	—
<b>Operating Angle (Minimum Lever Travel Including Pre-Travel Required For Operation)</b>	—	23°	23°	12°	12°
<b>Operating Diagram</b>					

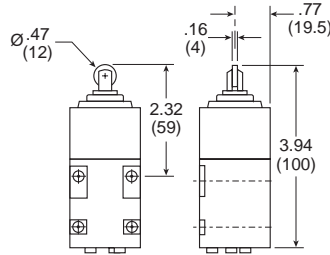
**F**

**Switch Body With Plunger Heads**

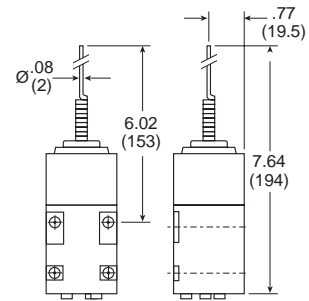
With ZC2JE61



With ZC2JE62

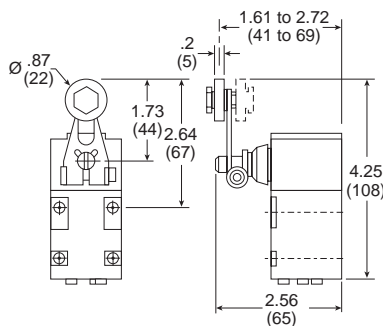


With ZC2JE70

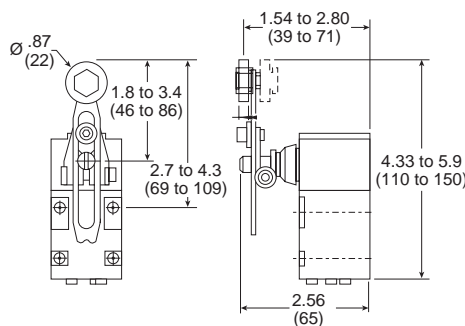


**Switch Body With Rotary Heads and Operating Levers**

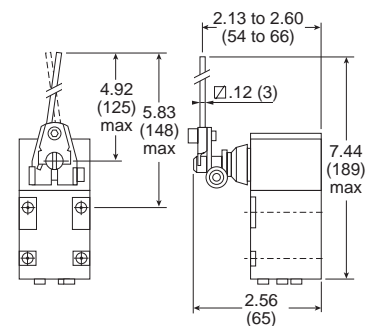
With ZC2JY11



With ZC2JY31

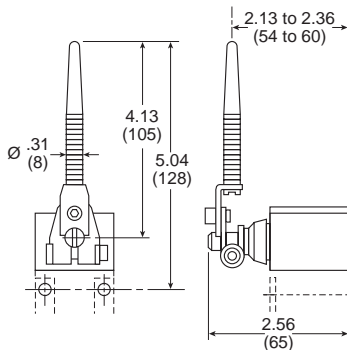


With ZC2JY51

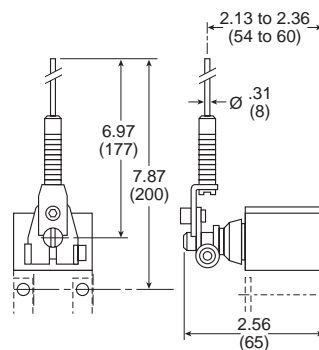


**Rotary Heads With Operating Levers**

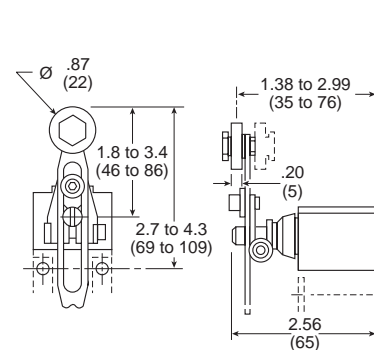
ZC2JY81



ZC2JY91

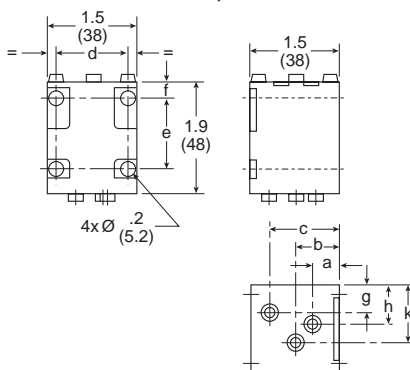


ZC2JY41



**Pneumatic Switch Bodies**

PXCJ117, PXCJ127



	inch	mm
a	.47	12
b	.75	19
c	1.16	29.5
d	1.14 to 1.18	29 to 30
e	1.18	30
f	.28	7
g	.43	11
h	.51	13
k	.94	24

