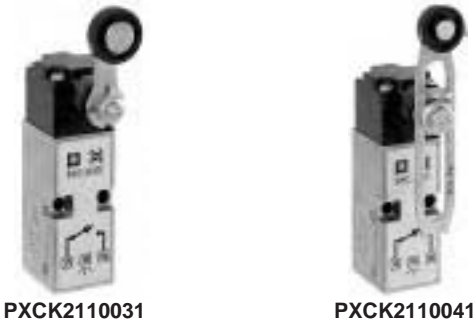


“K” Series Limit Switches

Plunger Operated
 5/32" Instant Connections
 Pipeable Exhaust Port
 1/8" I.D. Internal Orifice


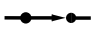


Roller Operated
 5/32" Instant Connections
 Pipeable Exhaust Port
 1/8" I.D. Internal Orifice

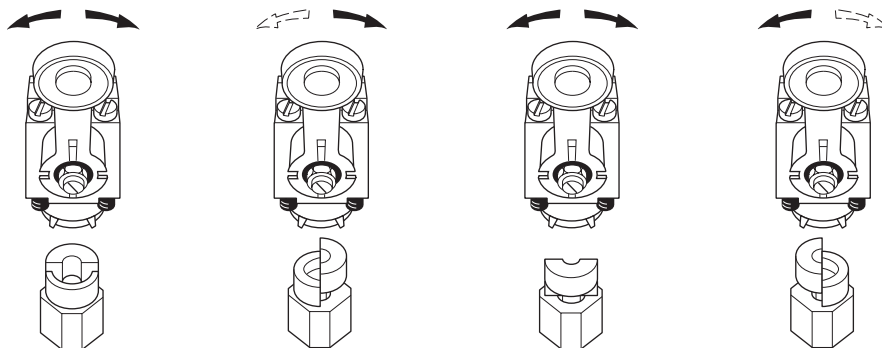


Complete Assemblies		
Part Number	Actuator	Type of Switching*
PXCK21101	Steel Plunger	NNP
PXCK22101		NP
PXCK21102	Steel Roller Plunger	NNP
PXCK22102		NP
PXCK21121	Plastic Roller Plunger	NNP
PXCK22121		NP
PXCK21106	Cats Whisker	NNP
PXCK22106		NP

With Die Cast Rotary Operating Head and Operating Lever - Complete Assemblies		
Part Number	Actuator	Type of Switching*
PXCK2110031	Fixed Delrin Roller Lever Multi-Function Head Actuates: - From Right and Left - From Right - From Left	NNP
PXCK2210031		NP
PXCK2110041	Adjustable Delrin Roller Lever Multi-Function Head Actuates: - From Right and Left - From Right - From Left	NNP
PXCK2210041		NP

NNP: Normally Non-Passing 
 NP: Normally Passing 

Field Conversion of Rotary Operating Head



“K” Series Limit Switches

Separate Pneumatic Switch Bodies



PXCK211

Part Number	Actuator	Type of Switching*
PXCK211	For Use with ZCK Series Operating Heads	NNP
PXCK221		NP

Pneumatic Switch Bodies with Rotary Heads



PXCK21100

Part Number	Actuator	Type of Switching*
PXCK21100	Multi-Function Head Actuates: - From Right and Left - From Right - From Left	NNP
PXCK22100		NP

Operating Heads

For Use With PXCK Switch Bodies



ZCKG00

Part Number	Actuator	Description
Rotary Operated		
ZCKG00	—	Die Cast Zinc
Plunger Operated		
ZCKD02	Roller Plunger	Plunger Operated
ZCKD06	Whisker	
ZCKD10	Rod Plunger	
ZCKD21	Delrin Roller Lever On Plunger	
ZCKD23	Steel Roller Lever On Plunger	

Operating Levers for Rotary Heads



ZCKY81



ZCKY91

For Use With Rotary Head ZCKG00		
Part Number	Actuator	Description
ZCKY51	Steel 1/8" Square	Rod Levers
ZCKY52	Fiberglass 1/8" Dia. Round	
ZCKY81	Plastic Spring Rod Lever	
ZCKY91	Metal Spring Rod Lever	
ZCKY11	Delrin Roller Lever	Roller Levers
ZCKY13	Steel Roller Lever	
ZCKY41	Adjust. Delrin Roller Lever	
ZCKY43	Adjust. Steel Roller Lever	

F

Specifications

Air Quality –

Standard Shop Air, Lubricated or Dry, 40µm Filtration

Flow SCFM (NI/min)..... 7.4 (210)

Materials –

Body..... Zinc Alloy

Poppets..... Polyurethane

Seals..... Nitrile (Buna N)

Maximal Operating Frequency 5 Hz

Nominal Bore Ø 1/8" (3 mm)

Number of Operations with Dry Air at 90 PSI (6 bar) and 68°F (20°C) – Frequency 1 Hz..... 10 Million

Operating Positions..... All Positions

Operating Pressure 40 to 115 PSIG (3 to 8 bar)

Ports –

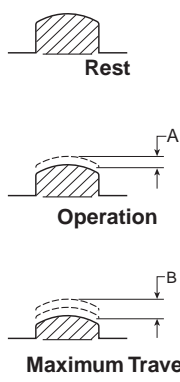
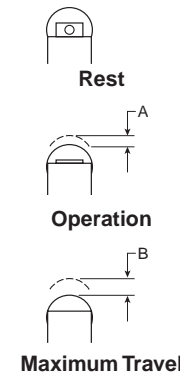
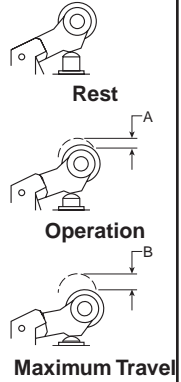
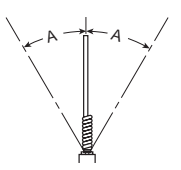
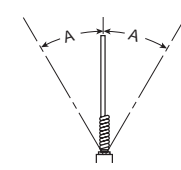
5/32" Instant for Semi-Rigid Nylon or Polyurethane Tube

Temperature

Operating 32°F to 122°F (0°C to + 50°C)

Storage -22°F to 140°F (-30°C to +60°C)

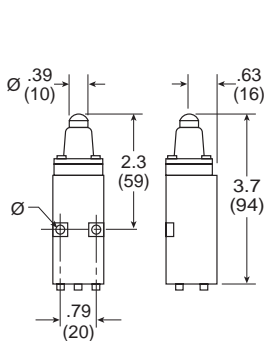
Operator Specifications

	PXCK2••01	PXCK2••02	PXCK2••03	PXCK2••06	PXCK2••00 + Actuator
Differential Angle	—	—	—	12°	3°
Differential Travel	.008" (0.2 mm)	.008" (0.2 mm)	.008" (0.2 mm)		
Maximum Angle of Travel	—	—	—	—	80°
Maximum Travel (B) at 90 PSIG (6 bar)	.020" (0.5 mm)	.020" (0.5 mm)	.020" (0.5 mm)	—	—
Minimum Pre-Travel (A) at 90 PSIG (6 bar)	.087" (2.2 mm)	.087" (2.2 mm)	.102" (2.6 mm)	—	—
Minimum Operating Force at 90 PSI (6 bar)	3.6 lbf (16N)	4.5 lbf (20N)	3.4 lbf (15N)	—	—
Minimum Operating Torque at 90 PSI (6 bar)	—	—	—	17.0 oz in (120mNm)	29.8 oz in (210mNm)
Operating Angle	—	—	—	35°	31° (Minimum Lever Travel Including Pre-Travel Required For Operation)
Operating Diagram					

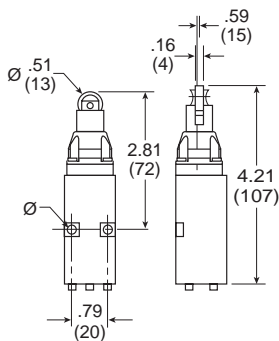


Dimensions

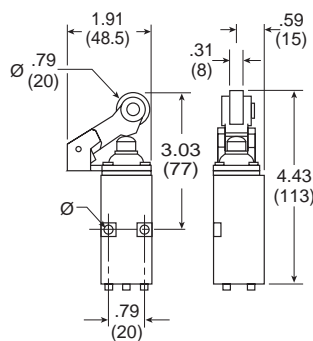
PXCK21101, PXCK22101



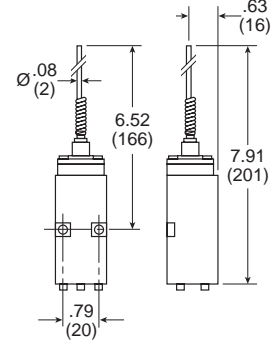
PXCK21102, PXCK22102



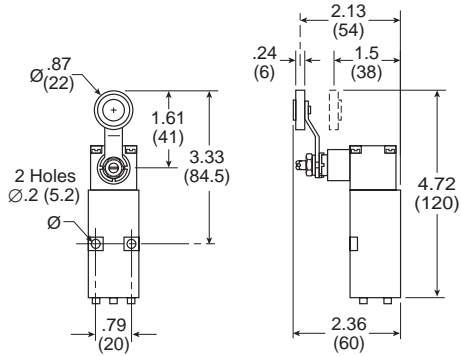
PXCK21121, PXCK22121



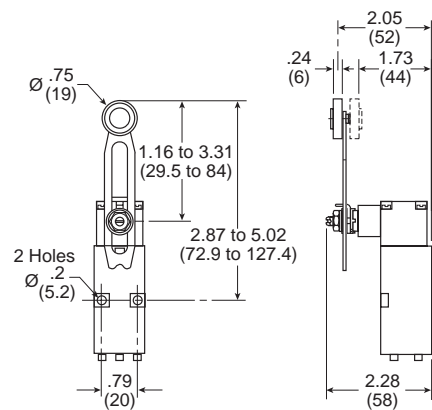
PXCK21106, PXCK22106



PXCK2110531, PXCK2210531

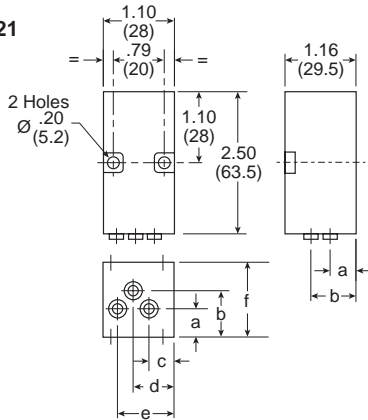


PXCK2110541, PXCK2210541



Pneumatic Switch Bodies

PXCK211, PXCK221

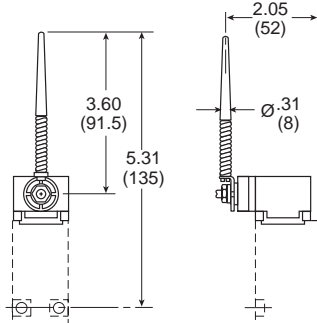


	inch	mm
a	.39	10
b	.77	19.5
c	.35	9
d	.61	15.5
e	.87	22
r	1.66	29.5

F

Rotary Heads with Operating Levers

ZCKY81



ZCKY91

